

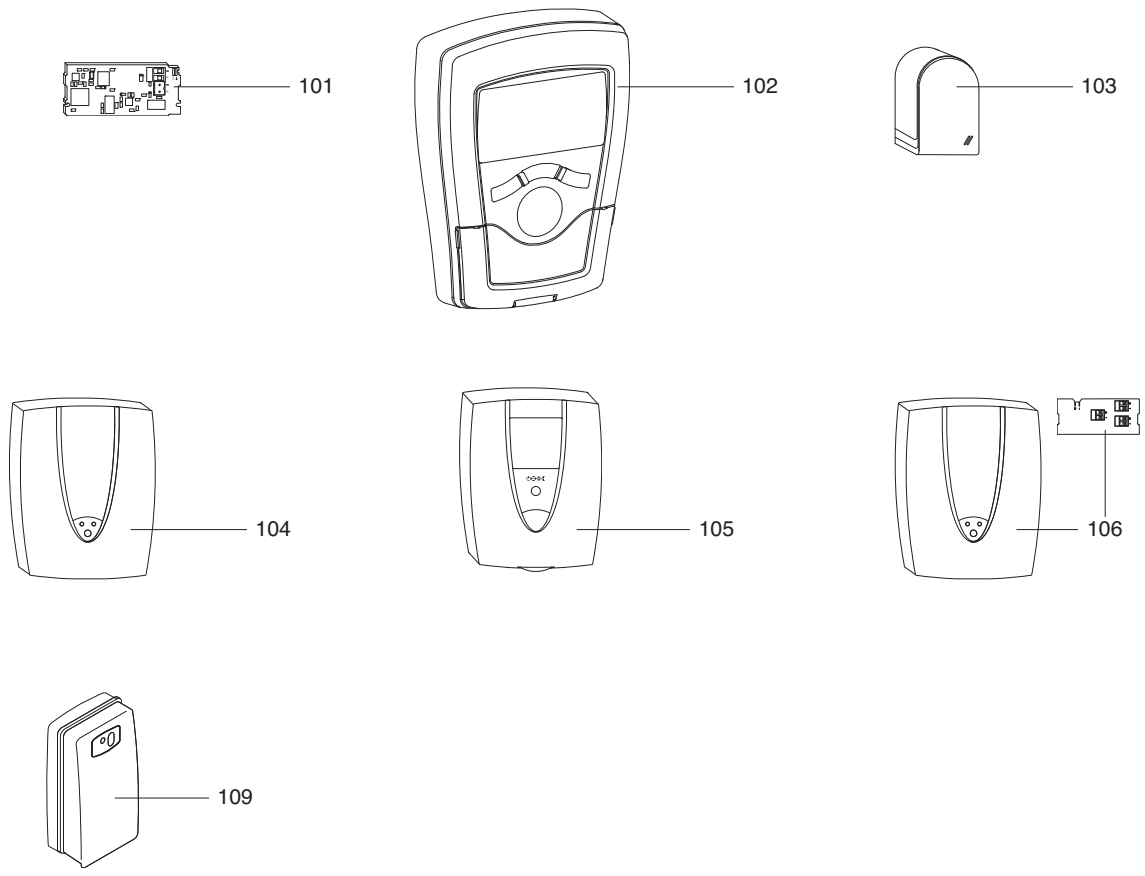


# SPARE PARTS EXPLODED VIEW ACCESSORIES FOR CONTROLLERS Model **GALILEO-GALEVO THERMOREGULATION**

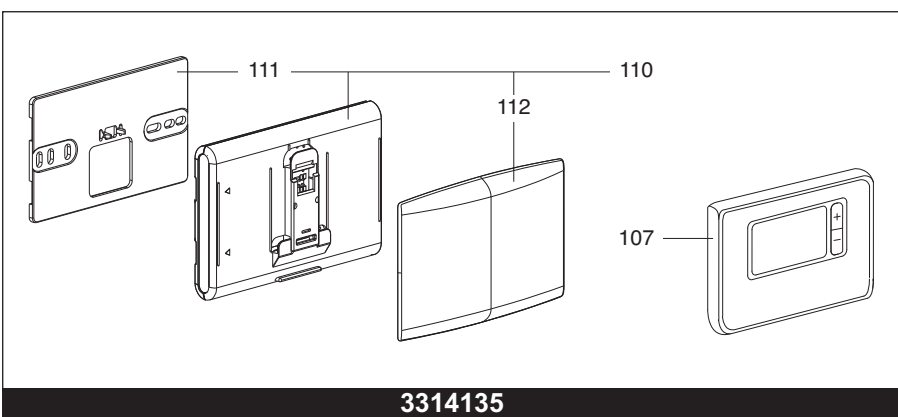
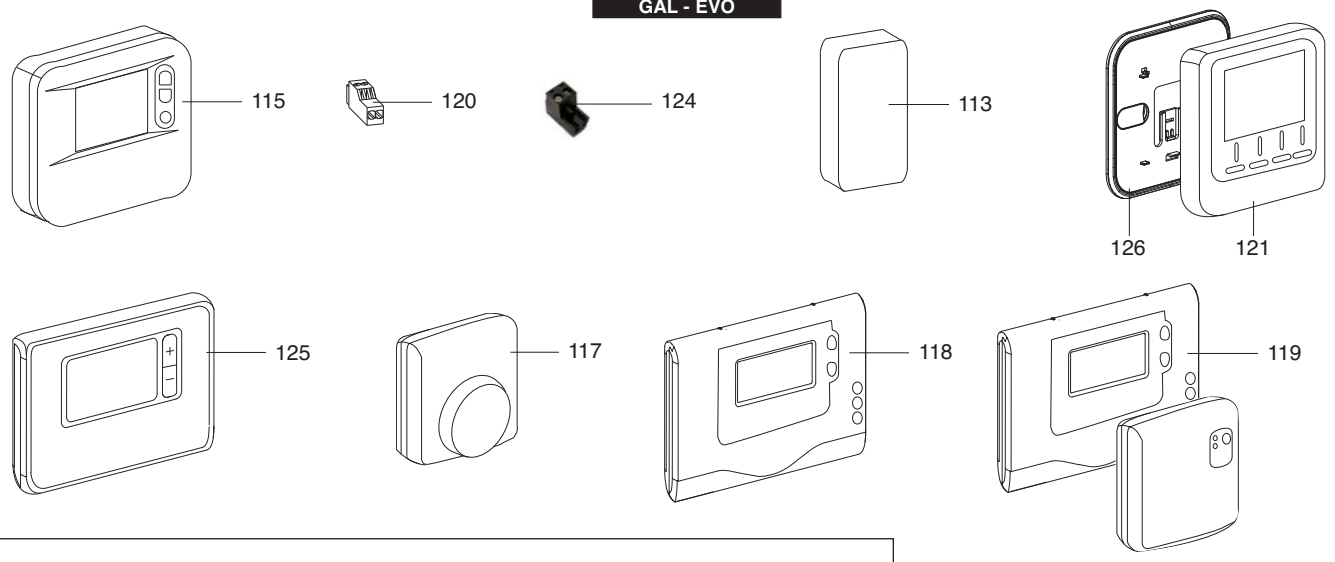
R8216903-11 - 15/06/2022

1	3318229	BUS INTERFACE	10-2006	03-2018
1	3318330	BUS INTERFACE CHX	05-2007	03-2018
2	3318230	CLIMA MANAGER WIRED AR	10-2006	09-2018
2	3318298	REMOTE CONTROL WIRED CHX	05-2007	01-2017
3	3318232	GENUS EXTERNAL AIR SENSOR WIRED	10-2006	-
3	3318302	EXTERNAL SENSOR CHX	05-2007	-
4	3318588	EXTERNAL SENSOR	05-2012	-
4	3318599	SONDA ESTERNA WIRED GAL EVO CHX	05-2012	-
4	3318610	OUTDOOR TEMPERATURE SENSOR	05-2012	-
5	3318237	REPEATER FOR MOD DEVICES WIRELESS AR	05-2007	02-2011
5	3318331	ROOM SENSOR WIRED AR	04-2007	09-2009
5	3318299	ROOM SENSOR WIRED CHX	05-2007	09-2009
5	3318305	REPEATER MOD DEVICES CHX	06-2007	02-2014
5	3318395	SENSORE AMBIENTE ECOFLAM	06-2008	09-2009
5	3318449	SENSORE AMBIENTE MULTIBUS CHX	02-2010	03-2018
6	3318586	ROOM SENSOR	05-2012	11-2017
6	3318597	Zone control	05-2012	12-2017
6	3318608	SENSORE AMBIENTE WIRED GAL EVO ELCO	10-2011	01-2018
7	3318240	CHRONOTERMOSTAT WIRELESS RECEIVER	04-2007	04-2013
7	3318308	RECEIVER WIRELESS CHRONOTERMOSTAT	05-2007	04-2013
8	3318594	ROOM THERMOSTAT	05-2012	-
8	3318605	BASIC CONTROL	05-2012	-
9	3319201	SENSORE AMBIENTE WIRED GALEVO 2 ELCO	02-2018	-
9	3319202	SENSORE AMBIENTE WIRELESS GALEVO 2 ELCO	05-2018	-
10	3318591	CRONOTERMOST+RICEVIT WIRELESS GAL EVO AR	05-2012	11-2019
10	3318602	EASY CONTROL WIRELESS	05-2012	11-2019
10	3318881	ELCO WIRELESS PROGRAMMABLE THERMOSTAT	11-2014	07-2021
11	3318590	PROGRAMMABLE ROOM THERMOSTAT	05-2012	07-2021
11	3318601	EASY CONTROL	05-2012	07-2021
11	3318593	CHRONOTERMOSTAT BUS GAL EVO	05-2012	10-2021
11	3318604	EASY CONTROL BUS	05-2012	10-2021
11	3318880	ELCO PROGRAMMABLE ROOM THERMOSTAT	11-2014	07-2021
12	3319483	PROGRAMMABLE ROOM THERMOSTAT WIRED	03-2021	-
12	3319484	PROGRAMMABLE ROOM THERMOSTAT WIRELESS	03-2021	-
12	3319486	EASY CONTROL II	03-2021	-
12	3319487	EASY CONTROL II WIRELESS	03-2021	-
13	3318233	RECEIVER FOR MOD DEVICES WIRELESS AR	04-2007	09-2009
13	3318306	RECEIVER MOD DEVICES WIRELESS CHX	05-2007	09-2009
14	3314135	OPENTHERM PROGRAMMABLE ROOMTHERMOSTAT	10-2021	-
Col	Reference	Model type	Begin	End

**GALILEO**



**GAL - EVO**



3314135

☉→	Description	Manf. Pt. N	Type	<div style="display: flex; justify-content: space-between; font-size: small;"> <span>BUS INTERFACE</span> <span>CLIMA MANAGER</span> <span>EXTERNAL SENSOR</span> <span>EXTERNAL SENSOR</span> <span>ROOM SENSOR</span> <span>ROOM SENSOR</span> <span>CHRON. SENSOR</span> <span>THERMOSTAT</span> <span>ROOM SENSOR ELCO</span> <span>CHRONOTHERMOSTAT</span> <span>CHRONOTHERMOSTAT</span> <span>ROOM SENSOR</span> <span>ROOM THERMOSTAT</span> </div>																		From	to
				1	2	3	4	5	6	7	8	9	10	11	12	13	14	15	16	17	18		
0101	P.C.B (CLIP-IN) E-BUS	65109108		●																			
0102	CLIMA MANAGER WIRED	65109109			●																		
0103	OUTSIDE HEAT SENSOR	65109110				●																	
0104	REPEATER FOR MOD DEVICES WIRELESS	65109114						●															
0105	ROOM SENSOR WIRED	65109119						●															
0106	RECEIVER FOR MOD DEVICES WIRELESS	65109111											●										
0107	OPENTHERM PROGRAMMABLE ROOMTHERMOSTAT	65121664																●					
0109	CHRONOTHERMOSTAT WIRELESS RECEIVER	65109117							●														
0110	LIGHT GTW OT/ZB - 2 CONNECTIONS	3319586-SP																●					
0111	WALL PLATE	65116082																●					
0112	COVER	65120244																●					
0113	OUTDOOR SENSOR	65112215					●																
0115	MODULATING ROOM SENSOR GAL EVO	65112214						●															
0117	ROOM THERMOSTAT ON/OFF GAL EVO	65112219							●														
0118	CHRONOTHERMOSTAT BUS GAL EVO	65112218	BUS										●										
	CHRONOTHERMOSTAT WIRED GAL EVO	65112216											●										
0119	CHRONOTHERM. + RECEIVER WIRELESS GAL EVO	65112217											●										
0120	CONNECTOR 2P	65111933												●									
0121	ROOM SENSOR WIRED GALEVO 2 ELCO	65120477												●									
	ROOM SENSOR WIRELESS ELCO	65121208	WIRELESS											●									
0124	STELVIO CONNECTOR CPF 5/2 NE (SE)	65116733					●																
0125	PROGRAMMABLE ROOM THERMOSTAT WIRED	65121039																●					
	PROGRAMMABLE ROOM THERMOSTAT WIRELESS	65121040																●					
0126	WALL PLATE (WHITE)	65116732																					

---

## LIST OF THE ABBREVIATIONS

HW .....	: Hot water.
CW .....	: Cold water.
C .....	: Ceramic resistance (normal heating).
Ca .....	: Ceramic resistance (accelerated heating)
TP .....	: Immersion heater.
1F .....	: With fittings.
2F .....	: Without fittings.
3F .....	: With fittings and another outlet connection.
AMI .....	: With mixing valve.
SMI .....	: Without mixing valve.
PUISS .....	: Power of th appliance.
PN .....	: Appliance with normal pression.
LP .....	: Appliance with low pression.
PV .....	: Appliance with variable power.
PF .....	: Appliance with fixed power.

---

The indications mentioned on the prices, commercial or technical literature and the scheme are written for your guidance and are available at a given time. The CONSTRUCTOR retains the power to modify the presentation, the form, the size, the conception or the material of the products.

---