



SPARE PARTS EXPLODED VIEW  
STORAGE ELECTRIC WATER HEATERS

Model

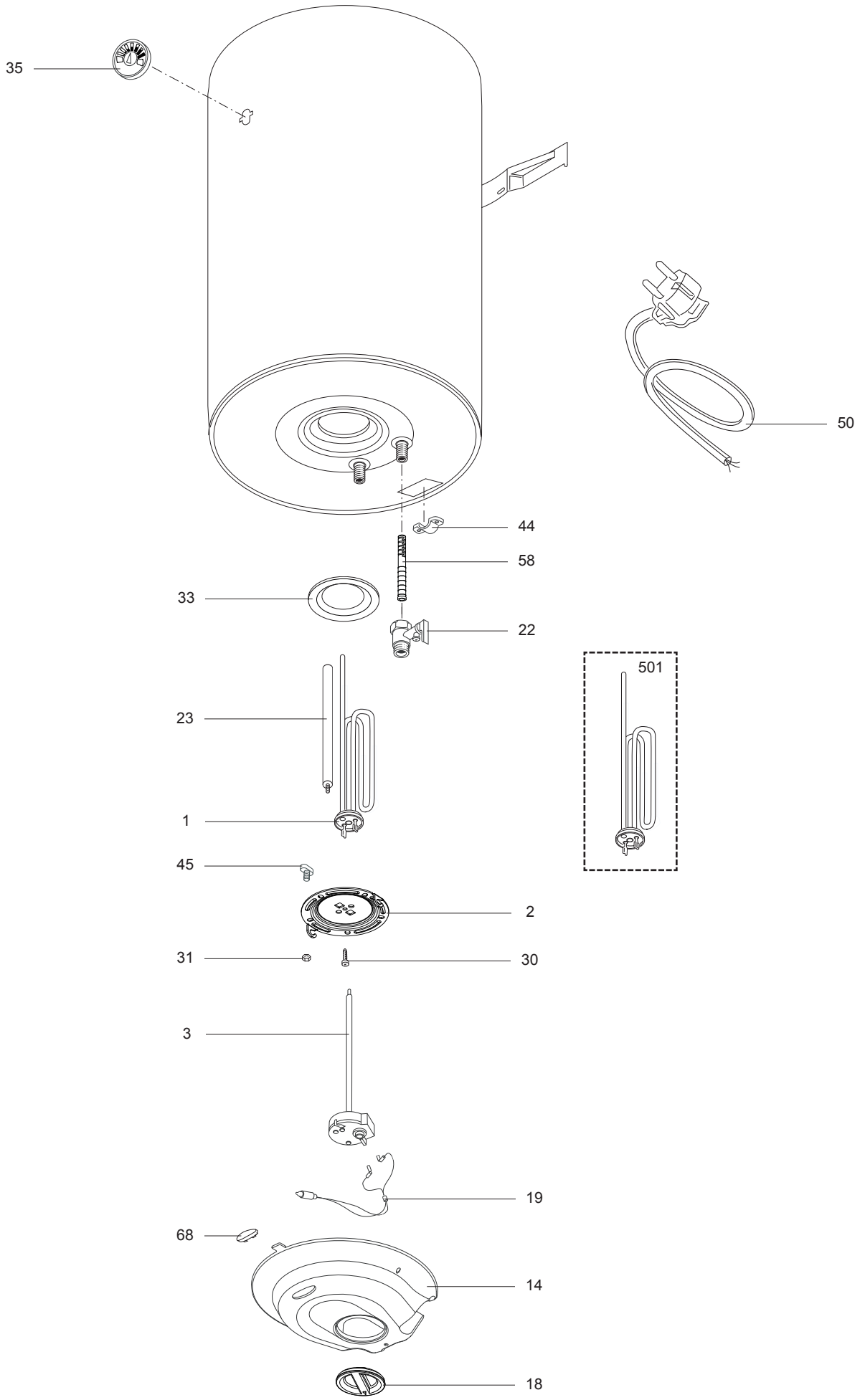
**NTS 1,5K (FA)**

R8216921-02 - 09/04/2014

NTS 1,5K (FA)

Storage Electric Water Heaters

1	3700354	NTS 50V 1,5K (FA)	03-2013	-
2	3700355	NTS 80V 1,5K (FA)	03-2013	-
3	3700356	NTS 100V 1,5K (FA)	03-2013	-
Col	Reference	Model type	Begin	End



☉⇒	Description	Manf. Pt. N	Type																					
				1	2	3	4	5	6	7	8	9	10	11	12	13	14	15	16	17	18	From	to	
0001	НАГРЕВАТЕЛЬНЫЙ ЭЛЕМЕНТ 1500W 220-240V	65111790		•	•	•																		
0002	ФЛАНЕЦ НА 5 БОЛТАХ	65111789-RU		•	•	•																		
0003	ТЕРМОСТАТ	691217-RU		•	•	•																		
0014	КРЫШКА ПЛАСТИКОВАЯ	65180092		•	•	•																		
0018	РУЧКА РЕГУЛИРОВАНИЯ	65180093		•	•	•																		
0019	ИНДИКАТОРНАЯ ЛАМПА	993025-RU		•	•	•																		
0022	ПРЕДОХРАНИТЕЛЬНЫЙ КЛАПАН (1/2" 8,5 БАР)	571730-RU		•	•	•																		
0023	МАГНИЕВЫЙ АНОД D:21.3 L:230 M5	993014-RU		•	•	•																		
0030	ВИНТ М6Х12	993000		•	•	•																		
0031	ГАЙКА М6	994140		•	•	•																		
0033	ПРОКЛАДКА ФЛАНЦА	65111788-RU		•	•	•																		
0035	ТЕРМОМЕТР	573427		•	•	•																		
0044	ЗАЖИМ ДЛЯ КАБЕЛЯ	573266		•	•	•																		
0045	ВИНТ М6Х20	65151225		•	•	•																		
0050	КАБЕЛЬ ПИТАНИЯ	993199		•	•	•																		
0058	РАССЕКАТЕЛЬ ВОДЫ (1/2" Н=72)	65113698		•	•	•																		
0068	КРЫШКА ИНДИКАТОРНОЙ ЛАМПЫ	571767		•	•	•																		
<b>0500</b>	<b>АКСЕССУАРЫ</b>																							
0501	НАГРЕВАТЕЛЬНЫЙ ЭЛЕМЕНТ 1500W 220-240V	65114097		•	•	•																		

## LIST OF THE ABBREVIATIONS

HW .....	: Hot water.
CW .....	: Cold water.
C .....	: Ceramic resistance (normal heating).
Ca .....	: Ceramic resistance (accelerated heating)
TP .....	: Immersion heater.
1F .....	: With fittings.
2F .....	: Without fittings.
3F .....	: With fittings and another outlet connection.
AMI .....	: With mixing valve.
SMI .....	: Without mixing valve.
PUISS .....	: Power of th appliance.
PN .....	: Appliance with normal pression.
LP .....	: Appliance with low pression.
PV .....	: Appliance with variable power.
PF .....	: Appliance with fixed power.

## IDENTIFICATION PLATE

### SERIAL NUMBER

**6 Characters :**  
 Year of manufacture 03 09 08 Manufacturing day  
 Month of manufacture

**9 Characters :**  
 Year of manufacture M 12 10 0606 Sequential number  
 Month of manufacture

**14 Characters :**  
SI-V-0B0 45 07 0001  
 Sequential number  
 Year of manufacture : 6 → 2004  
 Month of manufacture : → 25 → January 43 → July 7 → 2005  
 13 → February 29 → August 8 → 2006  
 32 → March 40 → September etc ...  
 35 → April 38 → October  
 39 → May 51 → November  
 45 → June 12 → December

**15 Characters :**  
02 11 00001 007843  
 Year of manufacture Code appareil  
 Month of manufacture Sequential number

**21 Characters :**  
3200050 XX 08115 0000001  
 Product reference Sequential number  
 Year (08) / Manufacturing day (115)

**22 Characters :**  
3200050 XX 070115 0000001  
 Product reference Sequential number  
 Year (07) / Month (01) / Manufacturing day (15)