



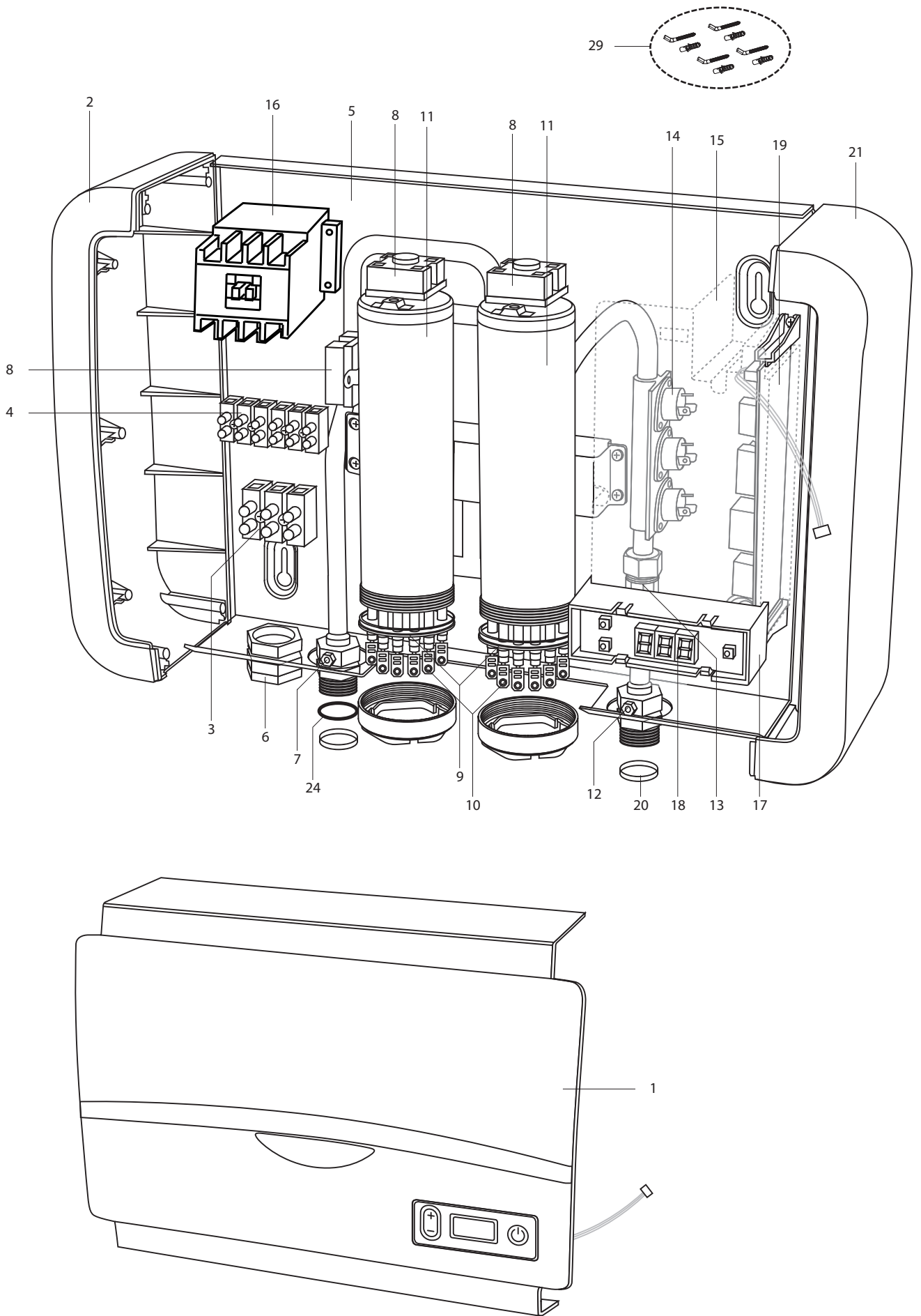
SPARE PARTS EXPLODED VIEW  
INSTANTANEOUS ELECTRIC WATER HEATERS  
Model  
**AURES PRO**

R8218273-04 - 03/04/2024

AURES PRO

Instantaneous Electric Water Heaters

1	3520040	AURES PRO 18 EU	11-2018	-
2	3195610	AURES PRO 18 EU	03-2024	-
3	3520041	AURES PRO 24 EU	11-2018	-
4	3195611	AURES PRO 24 EU	03-2024	-
Col	Reference	Model type	Begin	End



☉⇒	Description	Manf. Pt. N	Type	<div style="display: flex; justify-content: space-between; align-items: center;"> <div style="writing-mode: vertical-rl; transform: rotate(180deg); font-size: small;"> AURES P. 18 (3520040)  AURES P. 18 (3 1996 10)  AURES P. 24 (3520041)  AURES P. 24 (3 1996 11) </div> <div style="border: 1px solid black; padding: 2px;">  31 </div> </div>																		From	to
				1	2	3	4	5	6	7	8	9	10	11	12	13	14	15	16	17	18		
0001	FRONT COVER	65118393		•		•																	
	FRONT COVER	65119827			•																		
0002	LEFT PANEL	65118394		•		•																	
	LEFT PANEL	65119717			•		•																
0003	2-POLES TERMINAL BLOCK	6500609600			•		•																
	TERMINAL BLOCK, 2 POLES	65118395		•		•																	
0004	5-POLES TERMINAL BLOCK	6500616000			•		•																
	TERMINAL BLOCK, 6 POLES	65118396		•		•																	
0005	BACK COVER	65118397		•		•																	
	BACK COVER	65119719			•		•																
0006	CABLE BUSHING	65118398		•	•	•	•																
0007	THERMISTOR L:600MM	65118399		•	•	•	•																
0008	THERMOSTAT	65118400		•		•																	
	THERMOSTAT 85C	65191408			•		•																
0009	GASKET	65118401		•		•																	
	O'RING 56*3	65119720			•		•																
0010	HEATING ELEMENT 12KW 240V	65118410				•																	
	HEATING ELEMENT 9KW	6500609500				•																	
	HEATING ELEMENT 9KW	65118402		•		•																	
0011	CANISTER	6500615900				•																	
	HEATING TANK	65118403		•		•																	
0012	THERMISTOR L:300MM	65118404		•	•	•	•																
0013	FLOW SENSOR	65118405		•	•	•	•																
0014	TRIAC 40A	65153718		•		•																	
	TRIAC 40A	65191403				•																	
0015	P.C.B. COVER	65118406		•	•	•	•																
0016	RELAY UEC1-38C11M7	65121896				•	•	•															
0017	DISPLAY SUPPORT	65118416		•		•																	
	DISPLAY SUPPORT	65119722				•		•															
0018	BOARDS REPLACEMENT KIT	6500703700				•													03/24				
	BOARDS REPLACEMENT KIT	6500704100						•											03/24				
	DISPLAY	6500703000				•													04/24				
	DISPLAY	6500703400						•											04/24				
	DISPLAY	65118417		•		•																	
0019	P.C.B. (MAIN)	6500703500				•		•											04/24				
	P.C.B. (MAIN)	65118407		•		•																	
	P.C.B. (MAIN)	65191395				•		•											03/24				
0020	FILTER	65118408		•	•	•	•																
0021	RIGHT PANEL	65118409		•		•																	
	RIGHT PANEL	65119723				•		•															
0024	INLET PIPE GASKET	65191100				•		•															
0029	INSTALLATION KIT	65191079				•		•															

## LIST OF THE ABBREVIATIONS

HW .....	: Hot water.
CW .....	: Cold water.
C .....	: Ceramic resistance (normal heating).
Ca .....	: Ceramic resistance (accelerated heating)
TP .....	: Immersion heater.
1F .....	: With fittings.
2F .....	: Without fittings.
3F .....	: With fittings and another outlet connection.
AMI .....	: With mixing valve.
SMI .....	: Without mixing valve.
PUISS .....	: Power of th appliance.
PN .....	: Appliance with normal pression.
LP .....	: Appliance with low pression.
PV .....	: Appliance with variable power.
PF .....	: Appliance with fixed power.

## IDENTIFICATION PLATE

### SERIAL NUMBER

**6 Characters :**  
 Year of manufacture 03 09 08 Manufacturing day  
 Month of manufacture

**9 Characters :**  
 Year of manufacture 5 9 12 0606 Sequential number  
 Month of manufacture

**14 Characters :**  
SI-V-0B0 45 07 0001  
 Sequential number  
 Year of manufacture : 6 → 2004  
 Month of manufacture : → 25 → January 43 → July 7 → 2005  
 → 13 → February 29 → August 8 → 2006  
 → 32 → March 40 → September etc ...  
 → 35 → April 38 → October  
 → 39 → May 51 → November  
 → 45 → June 12 → December

**14 Characters :**  
111518 XX 000010  
 Month of manufacture 11 Sequential number  
 Day of manufacture 18 Year of manufacture

**15 Characters :**  
 Year of manufacture 02 11 00001 007843 Product reference  
 Month of manufacture Sequential number

**21 Characters :**  
3200050 XX 08115 0000001  
 Product reference Sequential number  
 Year (08) / Manufacturing day (115)

**22 Characters :**  
3200050 XX 070115 0000001  
 Product reference Sequential number  
 Year (07) / Month (01) / Manufacturing day (15)