

SPARE PARTS EXPLODED VIEW ACCESSORIES FOR PUMP GROUPS

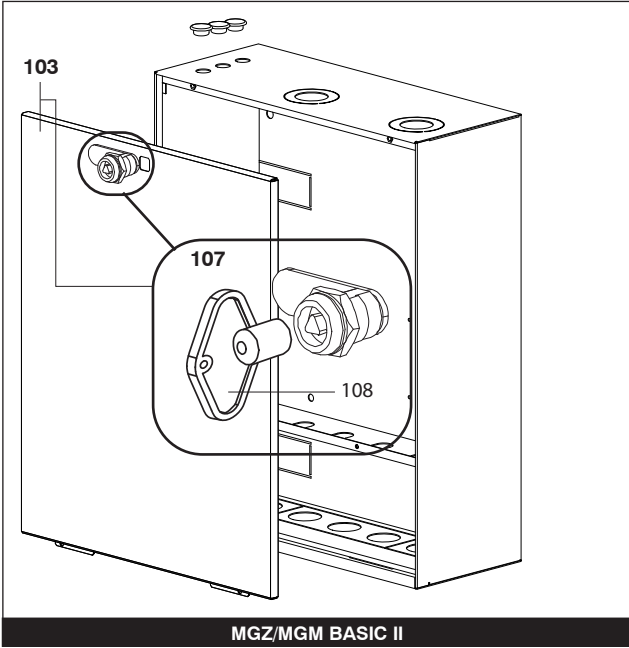
Model

MGZ-MGM-MCD-KIT MULTIFUNC.

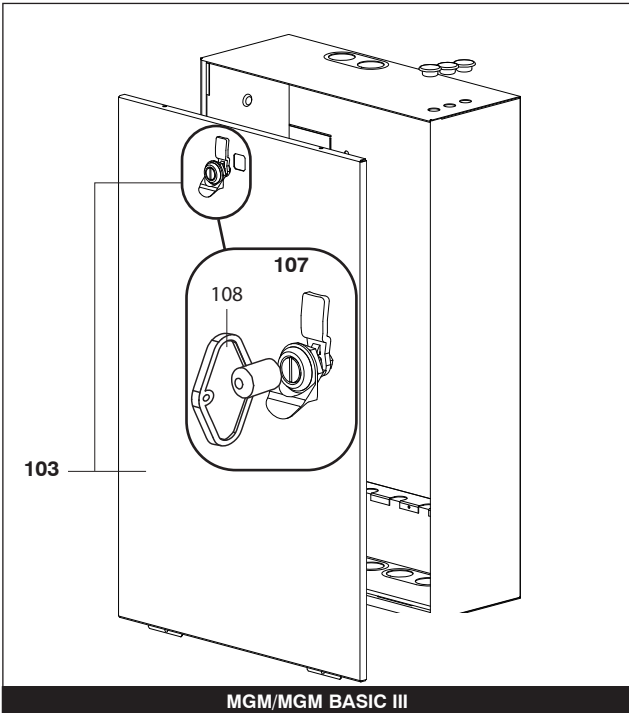
R8216827-11 - 17/05/2023

1	3318620	MGZ I EVO - 1 HT ZONE MODULE	06-2012	-
2	3318621	MGZ II EVO - 2 HT ZONES MODULE	06-2012	-
3	3318622	MGZ III EVO -3 ZONES HT MODULE	06-2012	-
4	3318624	MGM II EVO	06-2012	-
5	3318625	MGM III EVO	06-2012	-
6	3318626	MCD IV-MODULE 2 ZONES HT+BT	06-2012	07-2015
7	3318650	MGZ I BASIC	06-2012	11-2016
8	3318651	MGZ II BASIC	06-2012	11-2016
9	3318652	MGZ III BASIC	06-2012	11-2016
10	3318623	MGM II BASIC	06-2012	11-2016
11	3318653	MGM III BASIC	09-2012	11-2016
12	3318628	ZONE MANAGER KIT	09-2012	-
13	3318902	MCD IV - MODULE 2 ZONES HT+BT V2	08-2015	04-2018
14	3319187	MCD IV GAL EVO II	11-2017	12-2021
Col	Reference	Model type	Begin	End

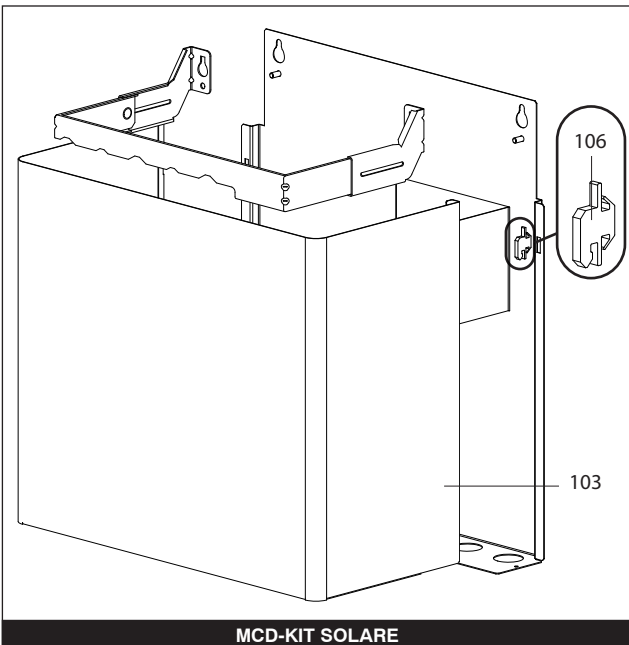
100



MGZ/MGM BASIC II

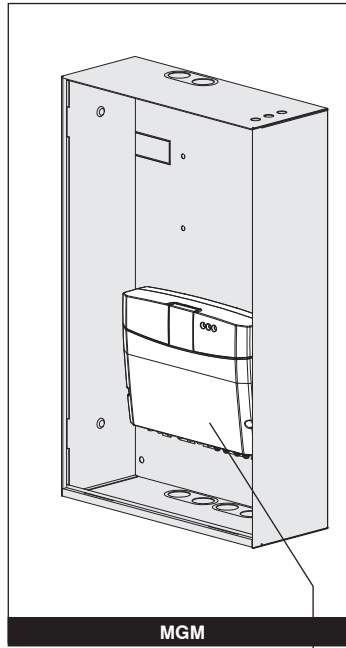


MGM/MGM BASIC III

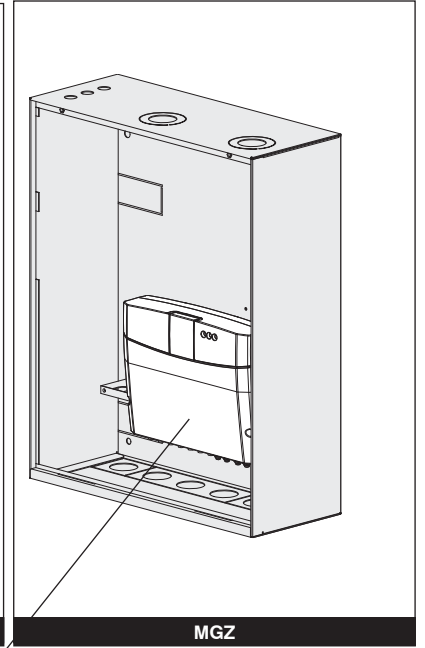


MCD-KIT SOLARE

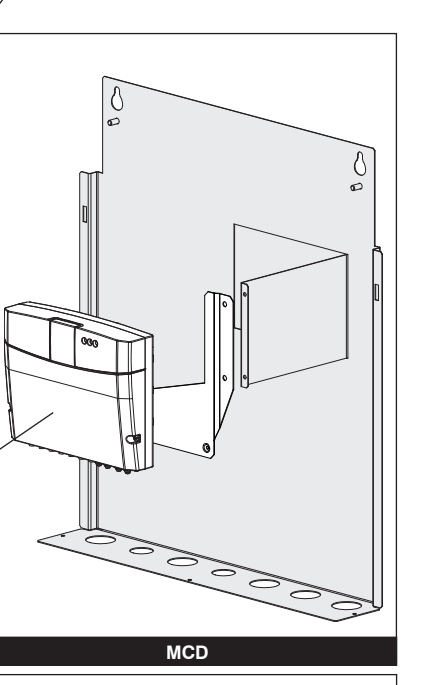
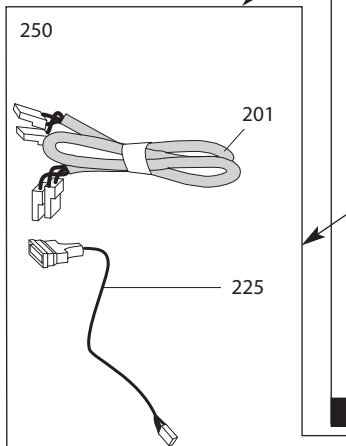
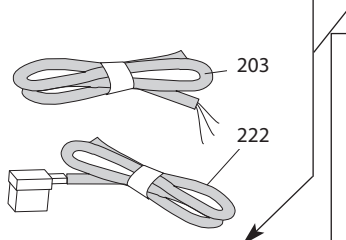
200



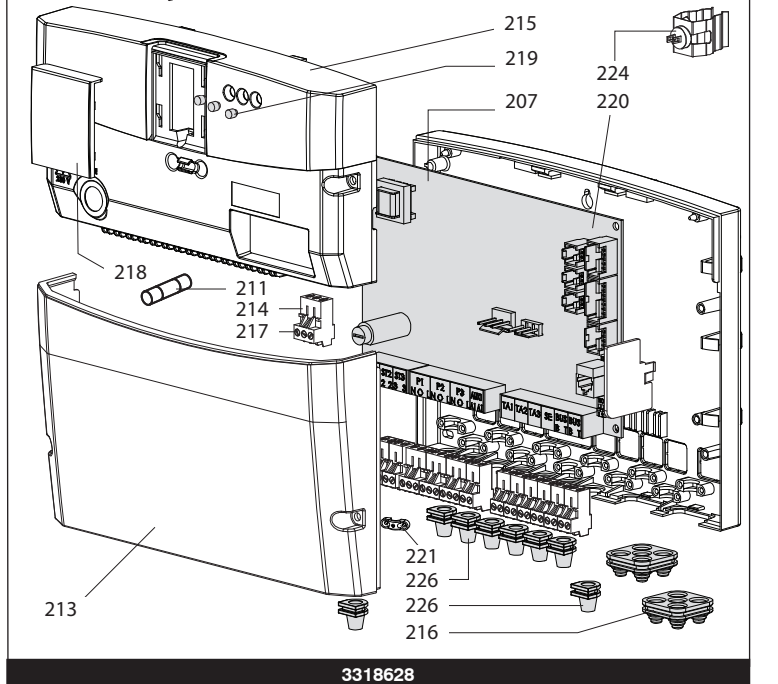
MGM




MGZ

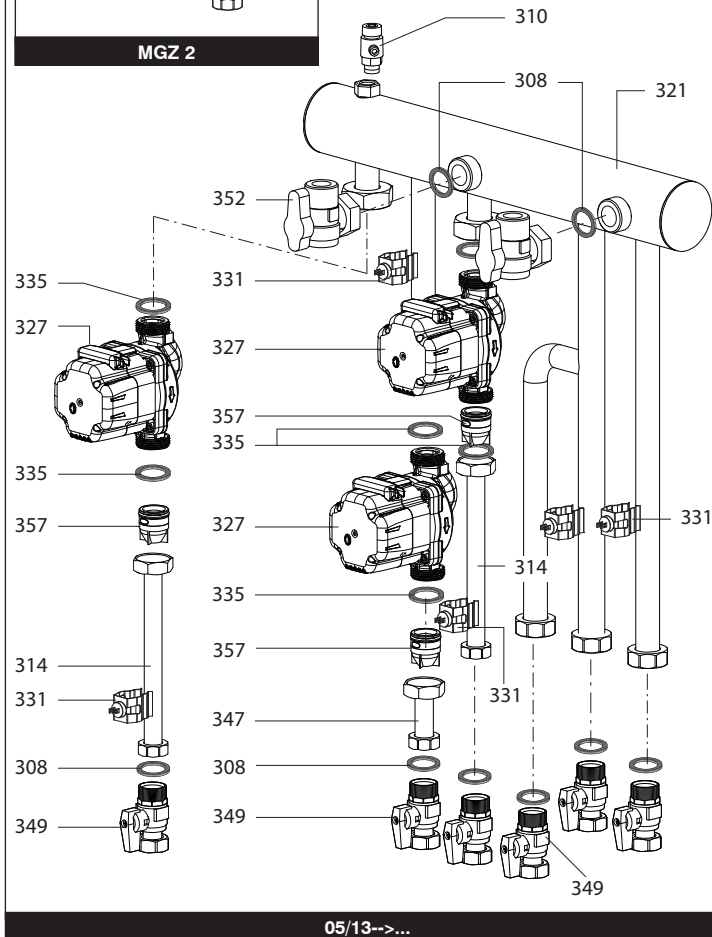
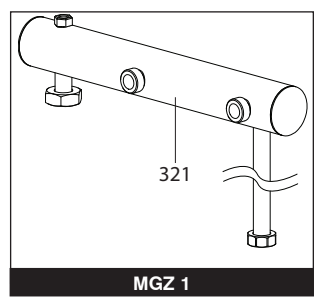
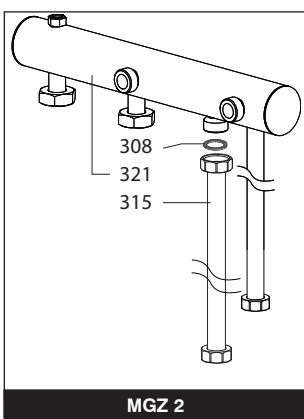


MCD

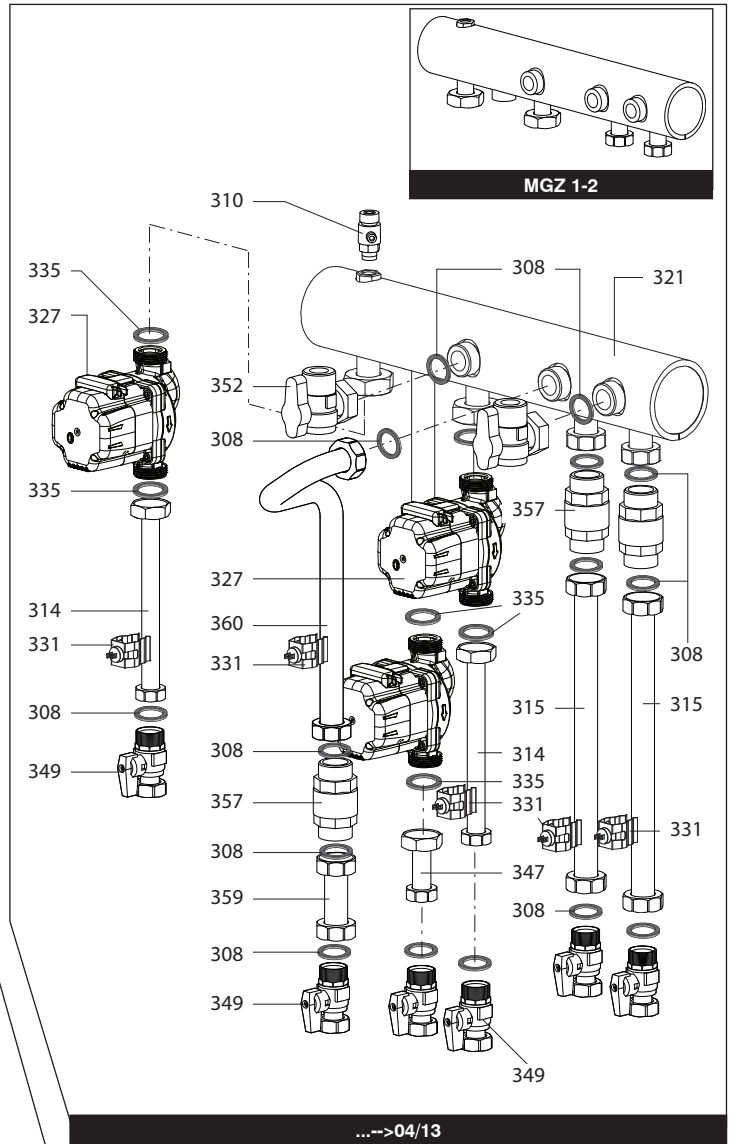


3318628

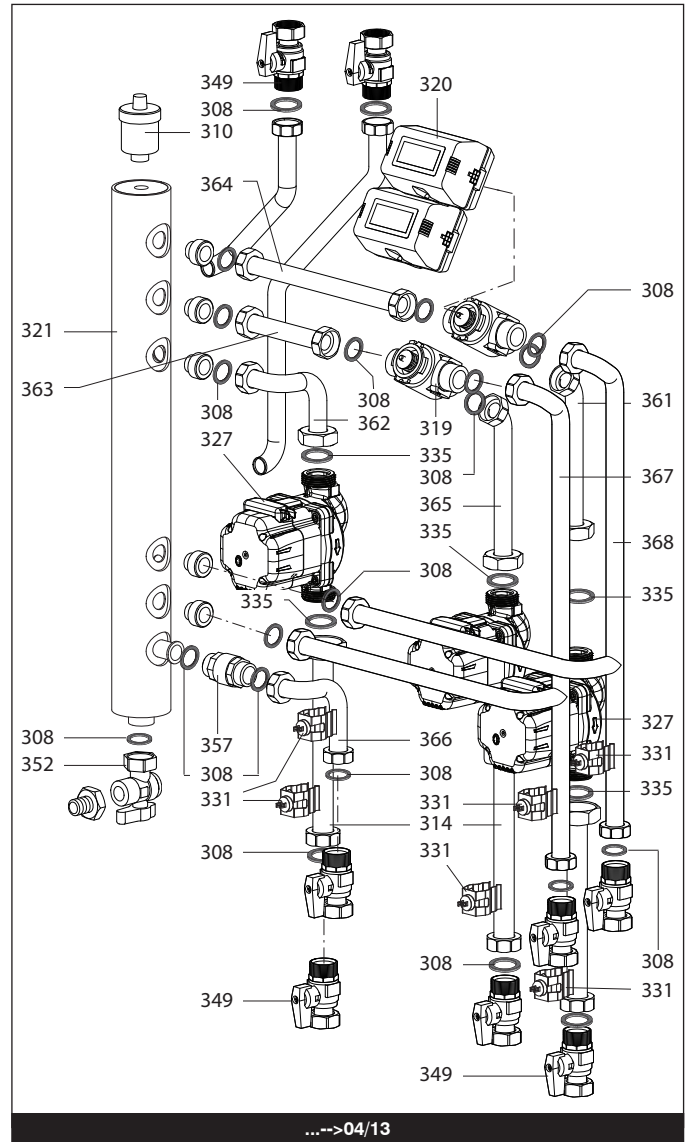
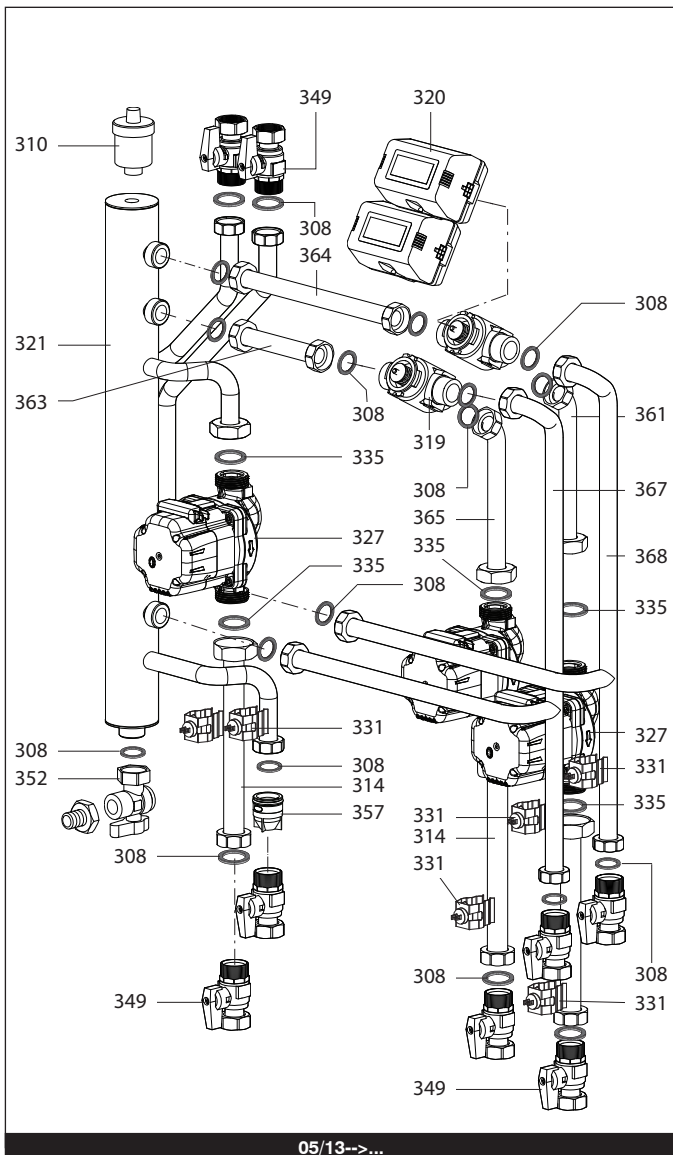
☺⇒	Description	Manf. Pt N	Type																			From	to	
				MGZ I	MGZ II	MGZ III	MGM II	MGM III	MCD IV	MGZ BASIC I	MGZ BASIC II	MGM BASIC III	MGM BASIC II	3318628	MCD IV V2	MCD IV GAL EVO II								
				1	2	3	4	5	6	7	8	9	10	11	12	13	14	15	16	17	18			
0100	CHASSIS-FRONT CASE																							
0103	CASE PANEL (FRONT)	65106978								●														
	CASE PANEL (FRONT)	65110917		●	●	●					●	●	●	●										
	CASE PANEL (FRONT)	65110920					●	●							●									
	CASE PANEL (FRONT)	65117659																					●	
0106	CASING SUPPORT BRACKET (PLASTIC) (QTY 4)	574302								●												●	●	
0107	CLOSING ELEMENT	65110919		●	●	●	●	●			●	●	●	●	●									
0108	TRIANGULAR KEY	65115365		●	●	●	●	●			●	●	●	●	●									
0200	ELECTRICAL BOX																							
0201	CABLE (PROBES - ZONE 3)	65112108					●		●				●											
	CABLE (PROBS - ZONE 1)	65112106		●							●													
	CABLE (PROBS - ZONE 1+2)	65112124			●	●	●	●				●	●	●	●									
	CABLE (PROBS - ZONE 2)	65112128								●												●	●	
	WIRING (PROBE)	65112135								●												●	●	
	WIRING (PROBE-ZONES 1&2)	65114040																				●		
	WIRING (PROBES-ZONE 3)	65114041																				●		
0203	CABLE (SUPPLY)	65112104		●	●	●	●	●		●	●	●	●	●	●							●	●	
0207	CONTROL BOARD (ZONES-EVO)	65112103-04		●	●	●	●	●		●	●	●	●	●	●							●	●	
0211	FUSE 250V 1.25A - TEMPORIZED	61003635								●												●	●	
	FUSE 5X20 RIT. 2A 250V	65112137		●	●	●	●	●			●	●	●	●	●									
0213	LOWER BOX COVER	65112121		●	●	●	●	●		●	●	●	●	●	●							●	●	
0214	CONNECTOR 2P	65111933		●	●	●	●	●		●	●	●	●	●	●							●	●	
0215	UPPER BOX COVER	65112120		●	●	●	●	●		●	●	●	●	●	●							●	●	
0216	CABLE HOLDER	65112123		●	●	●	●	●		●	●	●	●	●	●							●	●	
0217	3-WAY-CONNECTOR LUMB. 3611	65113904		●	●	●	●	●		●	●	●	●	●	●							●	●	
0218	INSERT (UPPER) CASE	65112122						●	●													●		
0219	L.E.D.	998570		●	●	●	●	●		●	●	●	●	●	●							●	●	
0220	WASHER	65112054		●	●	●	●	●		●	●	●	●	●	●							●	●	
0221	CABLE CLAMP (5 PCS)	65112051						●	●	●												●	●	
0222	CABLE (3-WAY VALVE - ZONE 2)	65112125						●	●	●												●	●	
	CABLE (3-WAY VALVE - ZONE 3)	65112126							●															
	CABLE (PUMP) WILO	65112127								●	●	●	●	●	●									
	CABLE (PUMP-ZONE 1)	65112105	/P1	●	●	●	●	●																
	CABLE (PUMP-ZONE 2)	65112109	/P2		●	●	●	●															●	●
	CABLE (PUMP-ZONE 3)	65112110	/P3			●		●																
0224	TEMPERATURE PROBE (NTC)	65112082																				●		
0225	CABLE (MIX VALVE-ZONES 1&2)	65114042																				●		
	CABLE (MIX VALVE-ZONES 3)	65114043																				●		
0226	BLIND GROMMET	569720		●	●	●	●	●		●	●	●	●	●	●							●	●	
0250	ZONE MANAGER KIT	65122313																				●		

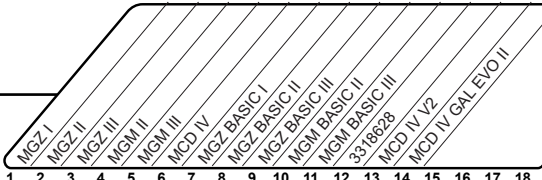


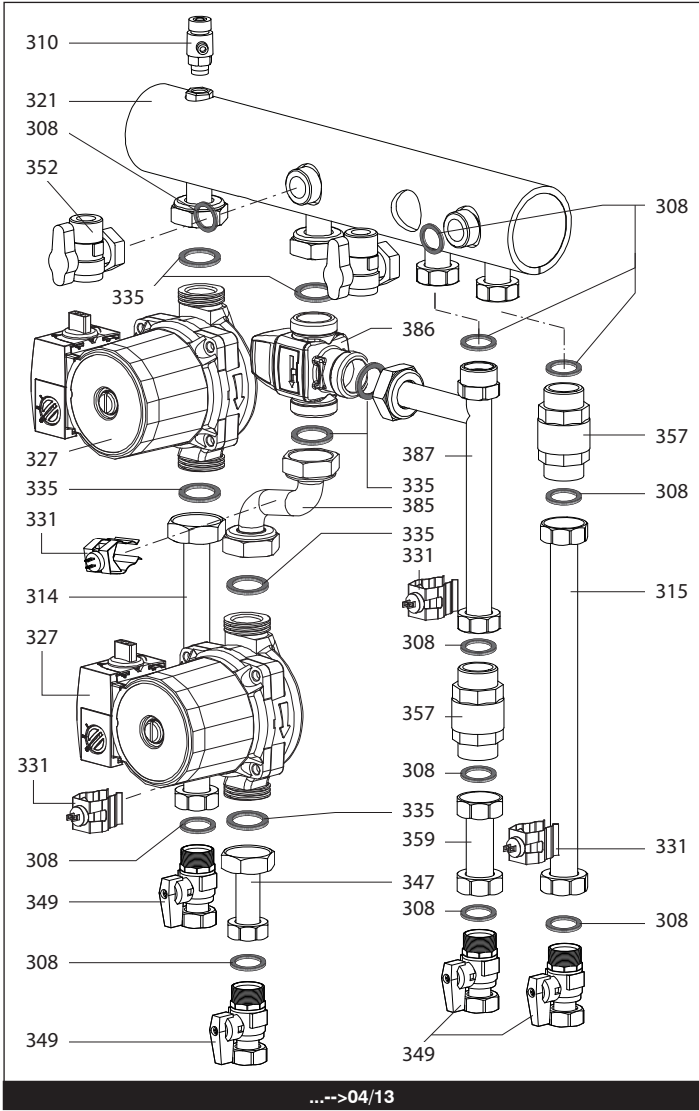
05/13-->...



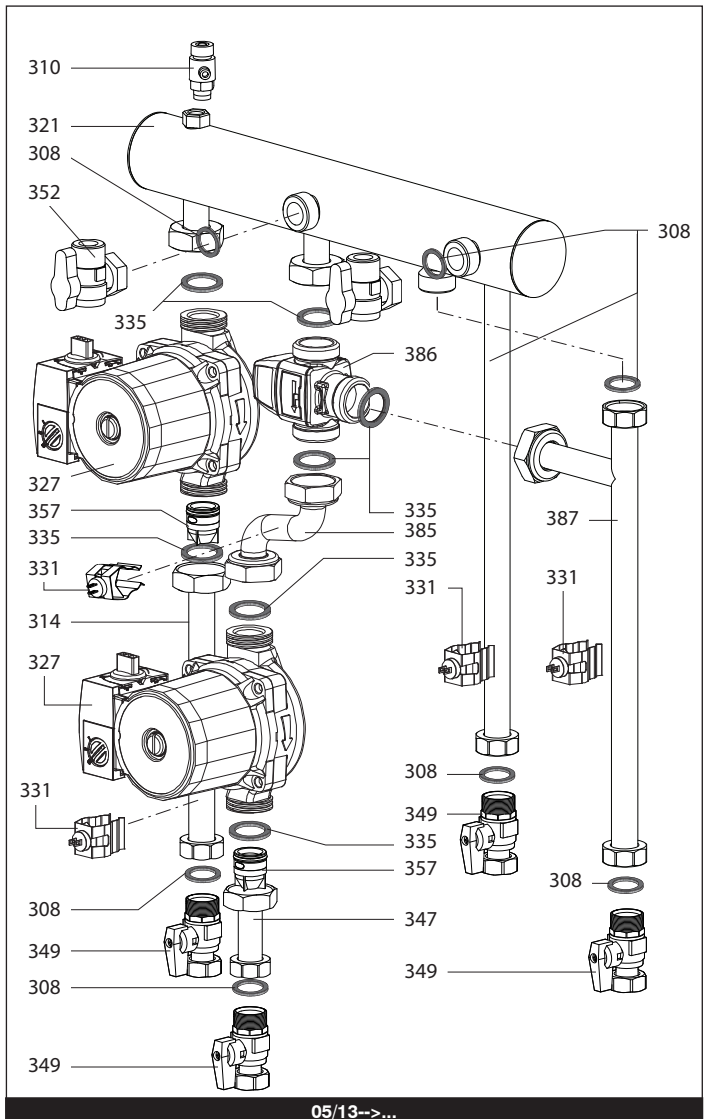
...->04/13



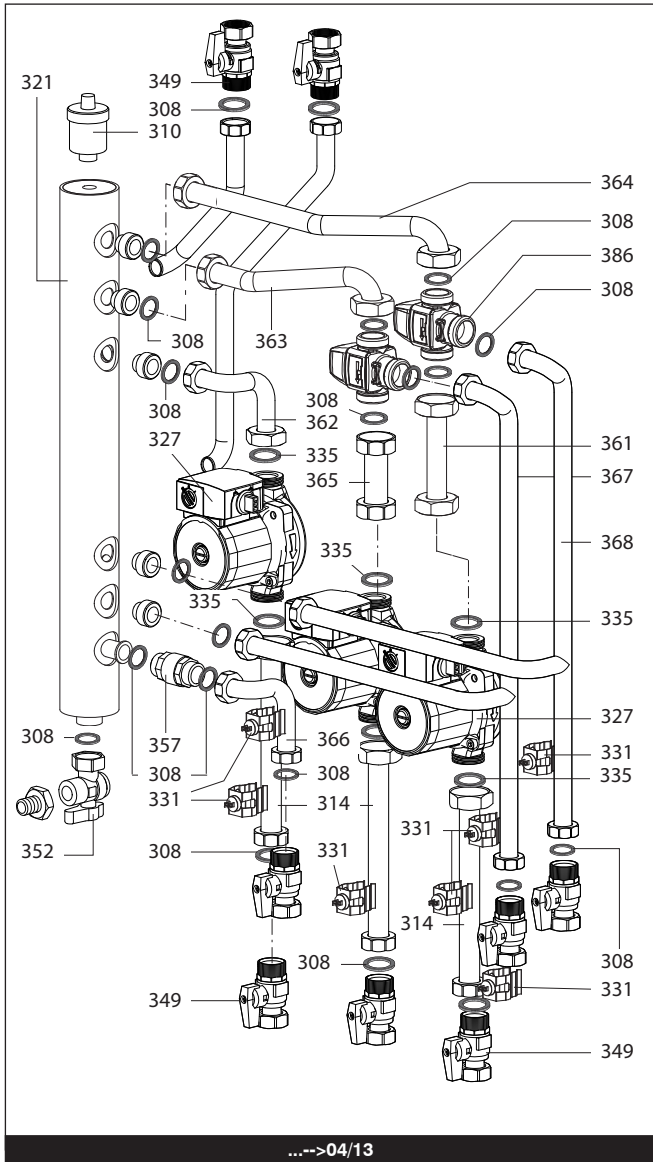
	Description	Manf. Pt. N	Type																			From	to
				1	2	3	4	5	6	7	8	9	10	11	12	13	14	15	16	17	18		
0300	HYDRAULIC BLOCK																						
0308	GASKET 3/4 INCH (AFM34/2 REINZ)	573520					•	•															
0310	AUTOMATIC AIR RELEASE VALVE 3/8 INCH	571639					•	•															
0314	DELIVERY PIPE (ZONES 1-2-3)	65113889					•	•															
0319	VALVE	65103416					•	•															
0320	MOTOR (3-WAY VALVE)	65103417					•	•															
0321	MANIFOLD (MGM II)	65117042					•													05/13			
	MANIFOLD (MGM II/III)	65108748					•	•													04/13		
	MANIFOLD (MGM III)	65117043					•													05/13			
0327	PUMP	65112107					•	•															
0331	TEMPERATURE PROBE (NTC)	65112082					•	•															
0335	WATER/GAS GASKET 1 INCH	569387					•	•															
0349	VALVE (3/4Z)	65110635					•	•															
0352	TAP (3/4")	65104694					•	•															
0357	ONE-WAY VALVE	65106879					•	•													04/13		
	ONE-WAY VALVE	65113508					•	•												05/13			
0361	OUTLET PIPE (MIXING VALVE)	65106882					•	•															
0362	DELIVERY PIPE (ZONE 1)	65106883					•	•													04/13		
0363	DELIVERY PIPE (ZONE 2)	65106884					•														04/13		
	DELIVERY PIPE (ZONE 2)	65106884					•	•															
0364	DELIVERY PIPE (ZONE 3)	65106885					•	•															
0365	OUTLET PIPE (MIXING VALVE)	65106886					•	•															
0366	RETURN PIPE (ZONE 1)	65106887					•	•													04/13		
0367	RETURN PIPE (ZONE 2)	65106888					•	•															
0368	RETURN PIPE (ZONE 3)	65106889					•	•															



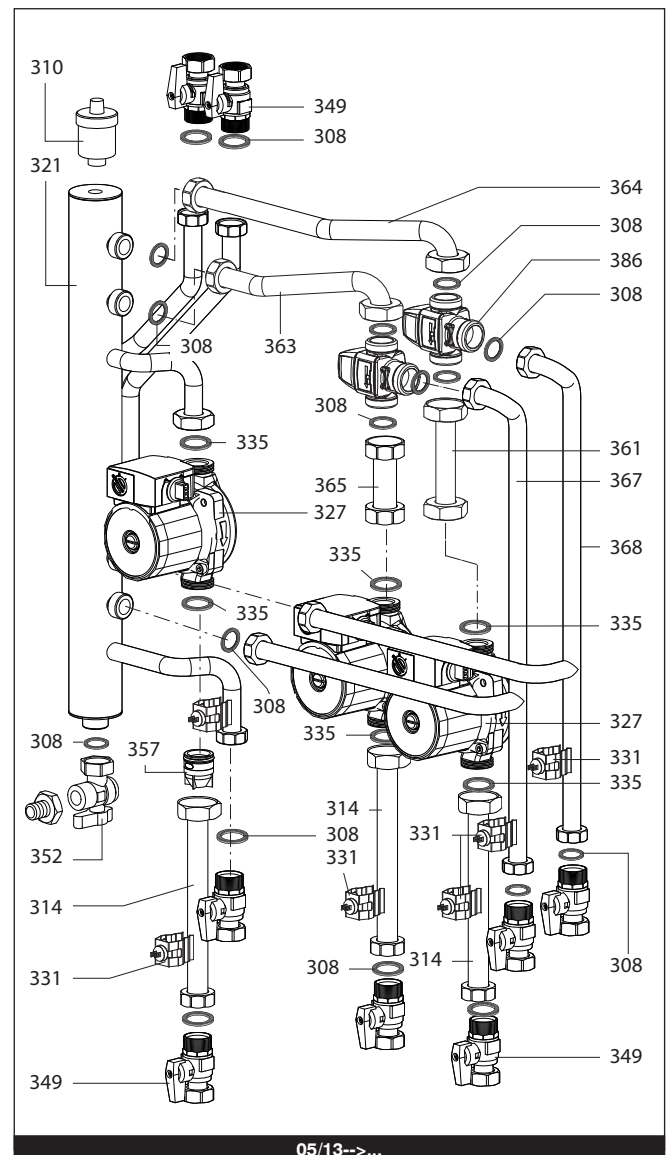
...->04/13



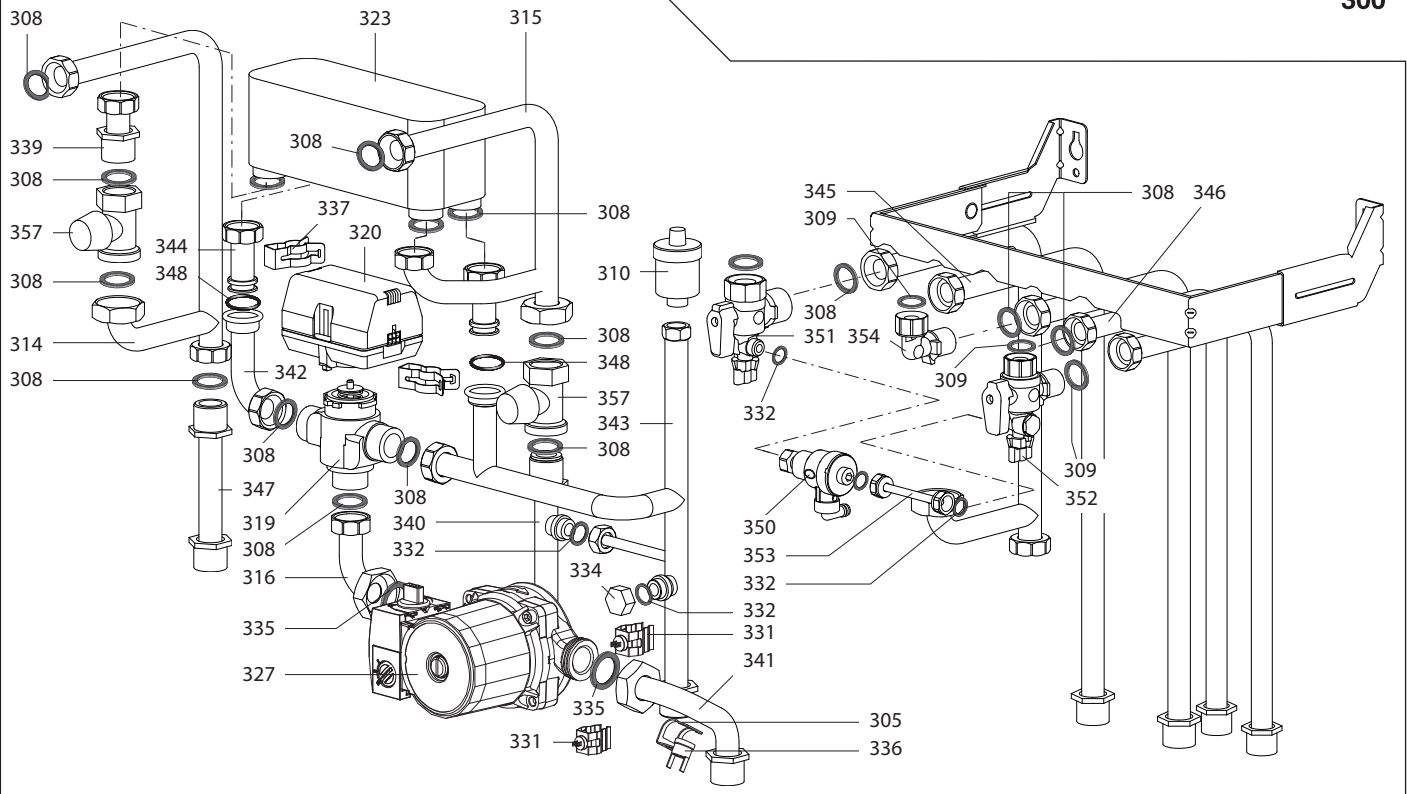
05/13->...



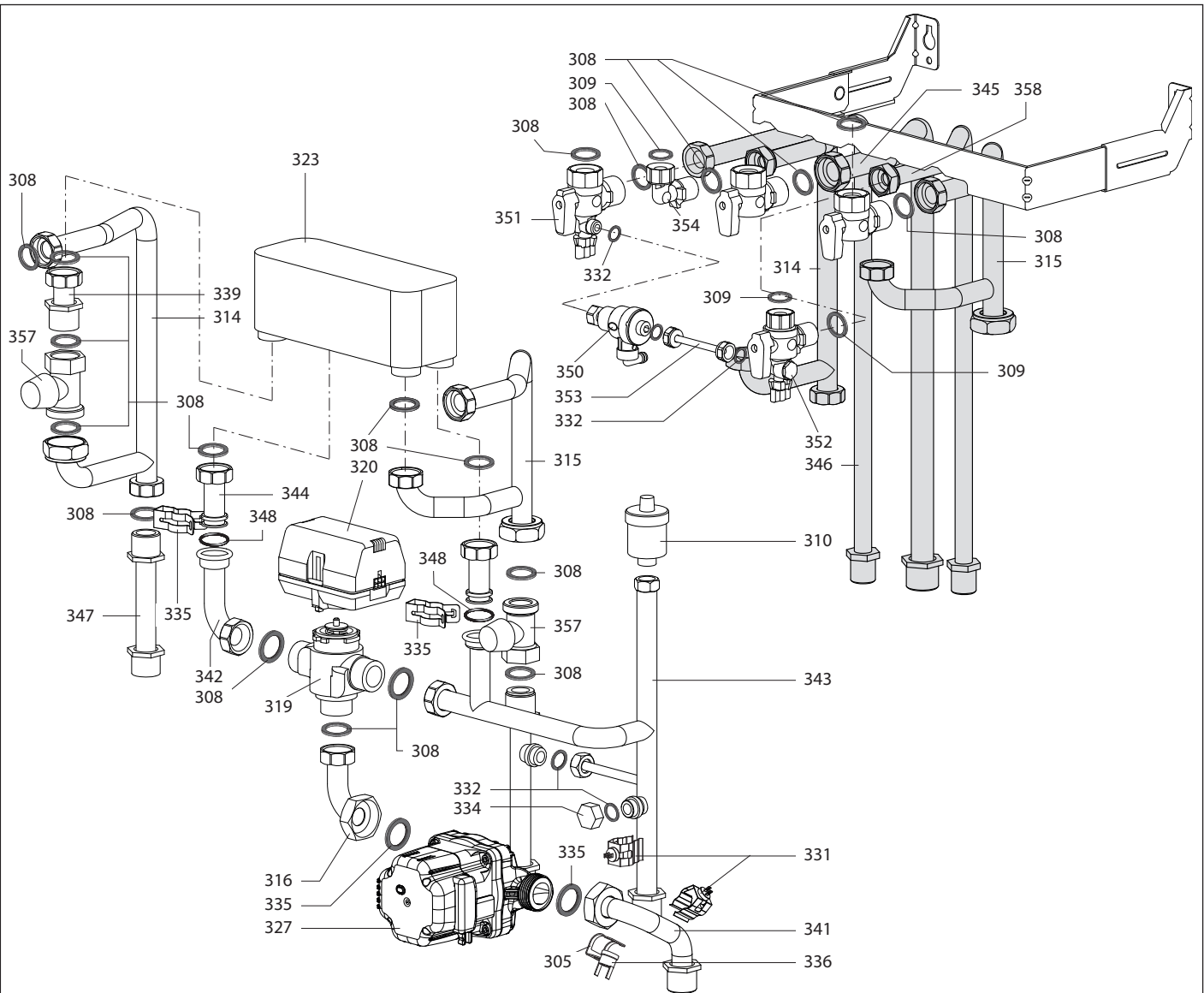
...-->04/13



05/13-->...



MCD



MCD GAL EVO II

LIST OF THE ABBREVIATIONS

HW	: Hot water.
CW	: Cold water.
C	: Ceramic resistance (normal heating).
Ca	: Ceramic resistance (accelerated heating)
TP	: Immersion heater.
1F	: With fittings.
2F	: Without fittings.
3F	: With fittings and another outlet connection.
AMI	: With mixing valve.
SMI	: Without mixing valve.
PUISS	: Power of th appliance.
PN	: Appliance with normal pression.
LP	: Appliance with low pression.
PV	: Appliance with variable power.
PF	: Appliance with fixed power.

The indications mentioned on the prices, commercial or technical literature and the scheme are written for your guidance and are available at a given time. The CONSTRUCTOR retains the power to modify the presentation, the form, the size, the conception or the material of the products.
