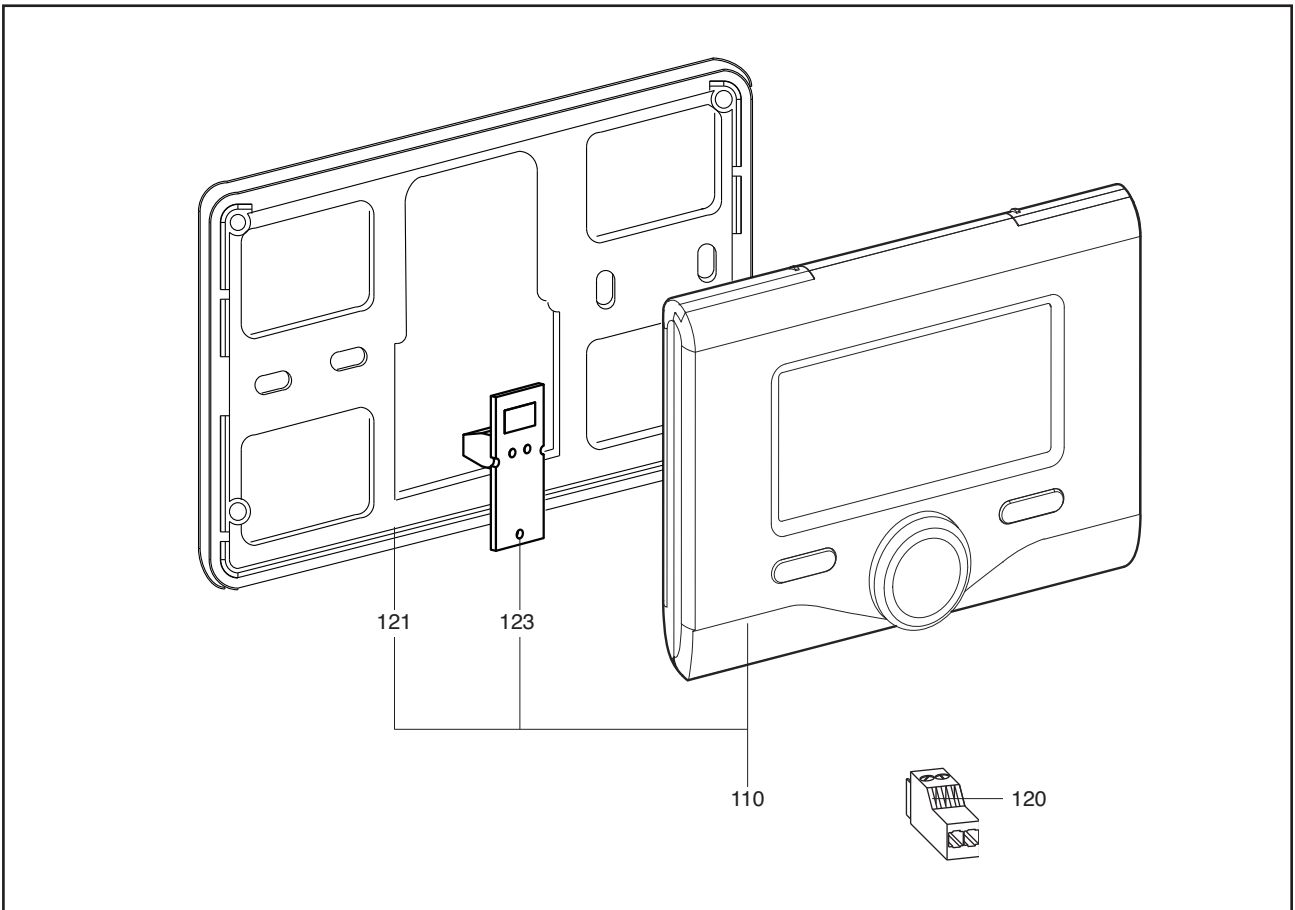




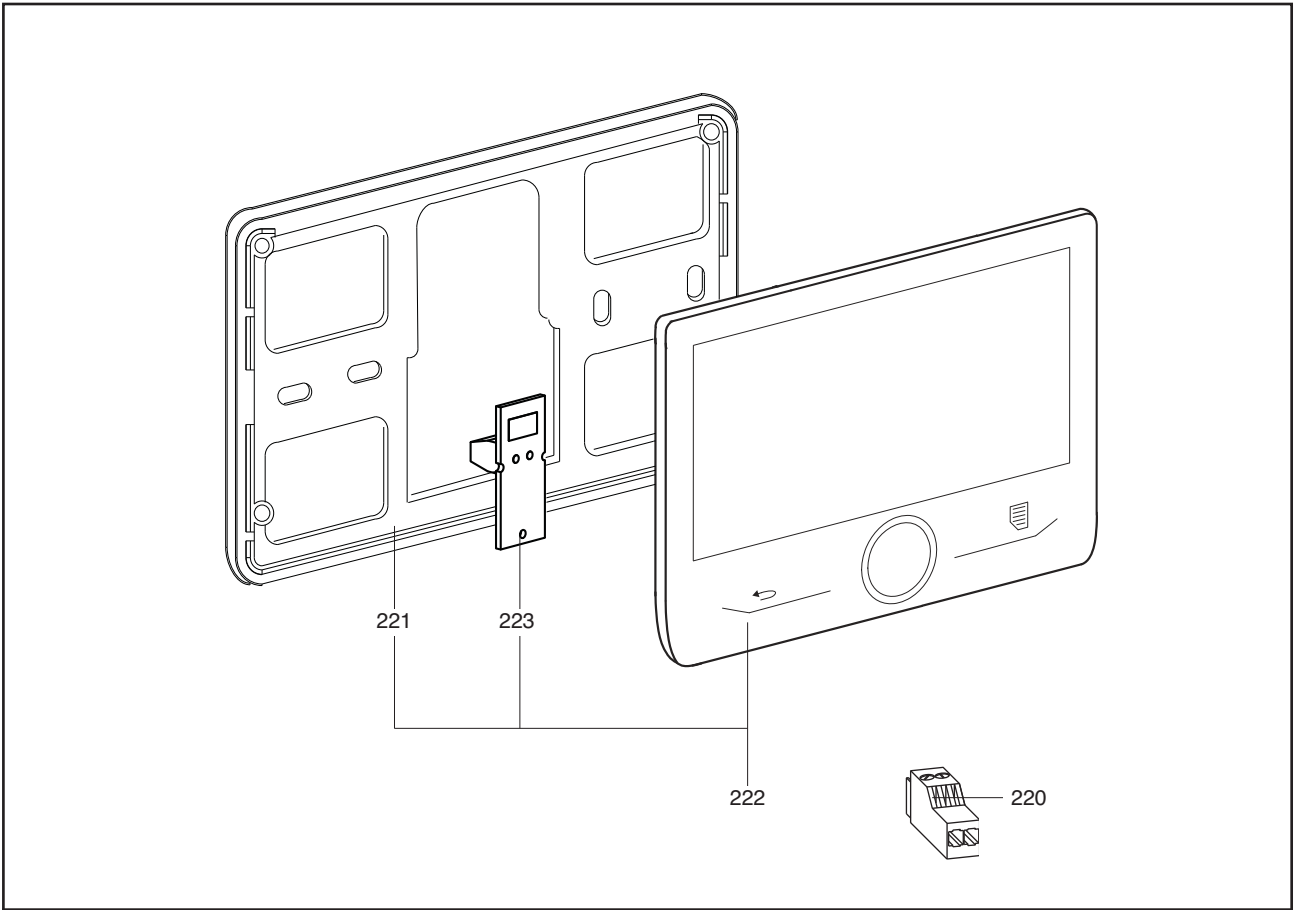
SPARE PARTS EXPLODED VIEW
 ACCESSORIES FOR CONTROLLERS
 Model
SENSYS-EXPERT CONTROL-REMOCON

R8218734-02 - 27/07/2022

1	3318585	SENSYS	05-2012	-
1	3318596	EXPERT CONTROL IT-GB-FR-BE	05-2012	08-2016
1	3318607	REMOCON PLUS ELCO	05-2012	06-2015
1	3318613	SENSYS TR-RUS-GR-CR-SRB	05-2012	-
1	3318615	SENSYS PL-CZ-HU-RO	05-2012	-
1	3318617	Expert Control SP-PT-GR-CR	05-2012	-
1	3318619	Expert Control RUS-PL-CZ	05-2012	-
1	3318870	EXPERT CONTROL V2 IT-GB-FR-BE	05-2014	-
2	3318879	NEW REMOCON PLUS ELCO	11-2014	-
3	3319467	SENSYS HD WHITE	07-2021	-
3	3319468	SENSYS HD BLACK	04-2021	-
3	3319469	EXPERT HD	04-2021	-
3	3319470	REMOCON PLUS 2	09-2021	-
Col	Reference	Model type	Begin	End



SENSYS - REMOCON - EXP.CONTROL



SENSYS - REMOCON - EXP.CONTROL HD

LIST OF THE ABBREVIATIONS

HW	: Hot water.
CW	: Cold water.
C	: Ceramic resistance (normal heating).
Ca	: Ceramic resistance (accelerated heating)
TP	: Immersion heater.
1F	: With fittings.
2F	: Without fittings.
3F	: With fittings and another outlet connection.
AMI	: With mixing valve.
SMI	: Without mixing valve.
PUISS	: Power of th appliance.
PN	: Appliance with normal pression.
LP	: Appliance with low pression.
PV	: Appliance with variable power.
PF	: Appliance with fixed power.

The indications mentioned on the prices, commercial or technical literature and the scheme are written for your guidance and are available at a given time. The CONSTRUCTOR retains the power to modify the presentation, the form, the size, the conception or the material of the products.
