



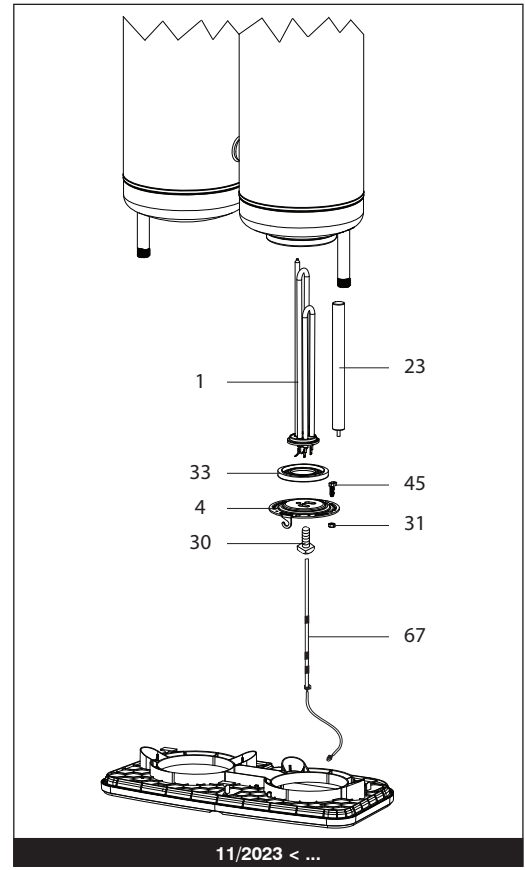
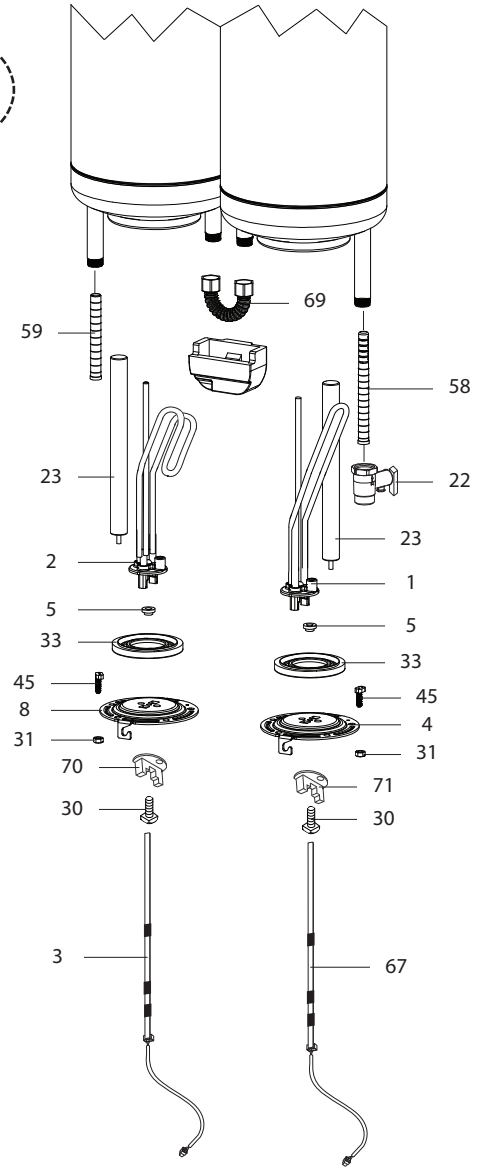
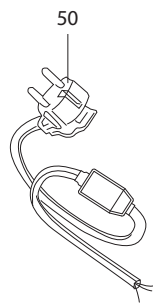
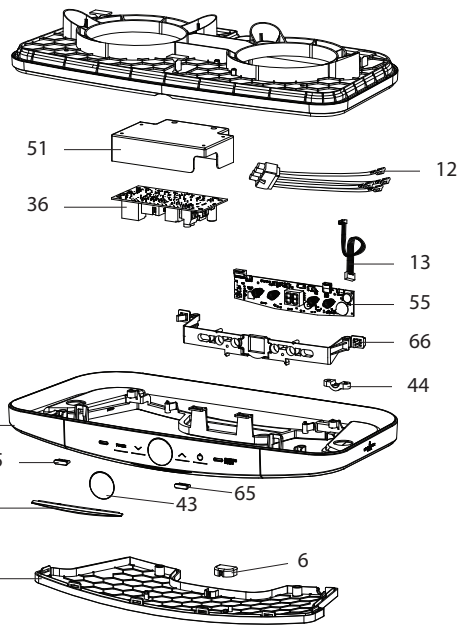
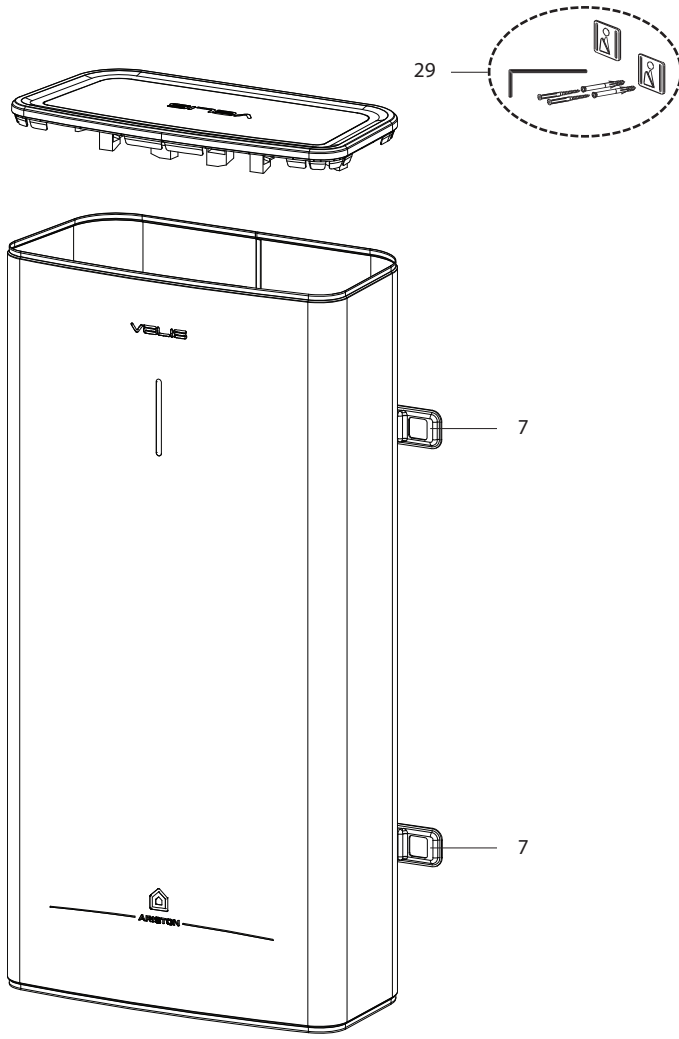
SPARE PARTS EXPLODED VIEW
STORAGE ELECTRIC WATER HEATERS
Model
ABSE VLS PRO INOX PW

R8218950-04 - 14/03/2024

ABSE VLS PRO INOX PW

Storage Electric Water Heaters

1	3700677	ABSE VLS PRO INOX PW 30	04-2021	08-2023
2	3700678	ABSE VLS PRO INOX PW 50	04-2021	-
3	3700679	ABSE VLS PRO INOX PW 80	04-2021	-
4	3700680	ABSE VLS PRO INOX PW 100	04-2021	-
Col	Reference	Model type	Begin	End



11/2023 < ...

☉⇒	Description	Manf. Pt. N	Type	<div style="display: flex; justify-content: space-between; align-items: center;"> <div style="writing-mode: vertical-rl; transform: rotate(180deg); font-size: small;"> ABS VLS INOX PW 30 ABS VLS INOX PW 50 ABS VLS INOX PW 80 ABS VLS INOX PW 100 </div> <div style="border: 1px solid black; padding: 2px;"> 31 </div> </div>																		From	to
				1	2	3	4	5	6	7	8	9	10	11	12	13	14	15	16	17	18		
0001	HEATING ELEMENT 1000+1500W 220-240V	65122238			•	•	•													11/23			
	HEATING ELEMENT 1000W 230V	65180040			•	•	•														10/23		
	HEATING ELEMENT 1000W 230V	65180040		•																			
0002	HEATING ELEMENT 1500W 230V	65180069			•	•	•														10/23		
	HEATING ELEMENT 1500W 230V	65180069		•																			
0003	WIRED NTC PROBE (OUTLET TANK)	65153300			•	•	•														10/23		
	WIRED NTC PROBE (OUTLET TANK)	65153300		•																			
0004	FLANGE (5 HOLES)	65180159			•	•	•														10/23		
	FLANGE (5 HOLES)	65180159		•																			
	FLANGE (5 HOLES)	65180459			•	•	•													11/23			
0005	WASHER	65180158			•	•	•														10/23		
	WASHER	65180158		•																			
0006	WATER DRAIN STOPPER	65180442			•	•	•																
0007	SUPPORT BRACKET	65152905			•	•	•														10/23		
	SUPPORT BRACKET	65152905		•																			
	SUPPORT BRACKET	65180461			•	•	•													11/23			
0008	FLANGE (5 HOLES)	65180160			•	•	•														10/23		
	FLANGE (5 HOLES)	65180160		•																			
0012	WIRING (ELEMENT / MAIN BOARD)	65122222			•	•	•													11/23			
	WIRING (ELEMENT / MAIN BOARD)	65180072-01			•	•	•														10/23		
	WIRING (ELEMENT / MAIN BOARD)	65180072-01		•																			
0013	WIRING (CONTROL BOARD)	65115286			•	•	•	•															
0014	PLASTIC COVER	65180444			•	•	•	•															
0022	SAFETY VALVE WITH LEVER (1/2" 6 BAR)	65151712			•	•	•	•															
0023	ALUMINIUM ANODE D:18 L:250 M5	65180466			•	•	•	•												11/23			
	ANODE D:21,3 L:180 M5	65180015			•	•	•	•													10/23		
	ANODE D:21,3 L:180 M5	65180015		•																			
0029	INSTALLATION KIT	65154451			•	•	•	•															
0030	SCREW M6X12	993000			•	•	•	•															
0031	NUT M6	994140			•	•	•	•															
0033	FLANGE GASKET	65111788			•	•	•	•													10/23		
	FLANGE GASKET	65111788		•																			
	FLANGE GASKET	65180458			•	•	•	•												11/23			
0036	P.C.B. (MAIN)	65116249			•	•	•	•															
0040	BOTTOM BIG PLASTIC COVER	65180445			•	•	•	•															
0043	DISPLAY COVER	65180447			•	•	•	•															
0044	CABLE CLAMP	573266			•	•	•	•															
0045	SCREW M6X20	65151225			•	•	•	•															
0050	POWER CABLE WITH ELCB (16A 1,0m)	65150965			•	•	•	•															
0051	POWER BOARD BOX	65155810			•	•	•	•															
0055	CONTROL BOARD	65122248			•															11/23			
	CONTROL BOARD	65122249					•													11/23			
	CONTROL BOARD	65122250						•												11/23			
	CONTROL BOARD	65120778		•																			
	CONTROL BOARD	65120779			•																10/23		
	CONTROL BOARD	65120780					•														10/23		
	CONTROL BOARD	65120781						•													10/23		
0058	BAFFLE (1/2" H=159)	65152176			•	•	•	•															
0059	BAFFLE (1/2" H=100)	65152177			•	•	•	•													10/23		
	BAFFLE (1/2" H=100)	65152177		•																			
0065	SIGNAL CAP	65180448			•	•	•	•															
0066	HOLDER FOR CONTROL BOARD	65180446			•	•	•	•															
0067	WIRED NTC PROBE (INLET TANK)	65153301			•	•	•	•													10/23		
	WIRED NTC PROBE (INLET TANK)	65153301		•																			
	WIRED NTC PROBE (INLET TANK)	65155811			•	•	•	•												11/23			
0068	LED INDICATOR	65180449			•	•	•	•															
0069	BY-PASS CONNECTION	65154293			•	•	•	•													10/23		
	BY-PASS CONNECTION	65154293		•																			
0070	TERMINAL SHIELD (RED)	65180070			•	•	•	•													10/23		
	TERMINAL SHIELD (RED)	65180070		•																			
0071	TERMINAL SHIELD (BLUE)	65180068			•	•	•	•													10/23		
	TERMINAL SHIELD (BLUE)	65180068		•																			

