



ARISTON

SPARE PARTS EXPLODED VIEW GAS-WALL CONDENSING BOILERS

Model

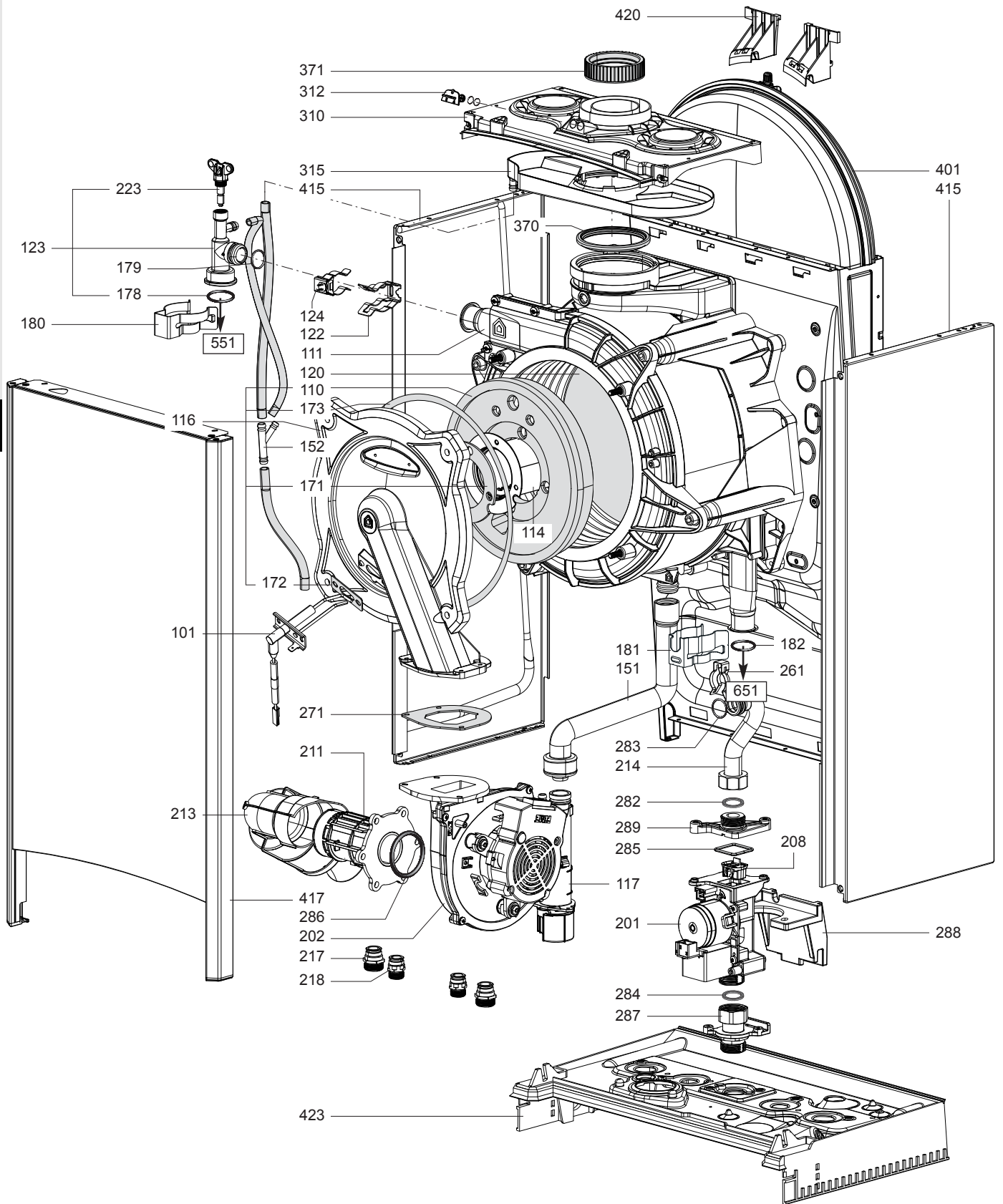
ALTEAS/GENUS ONE+ NET

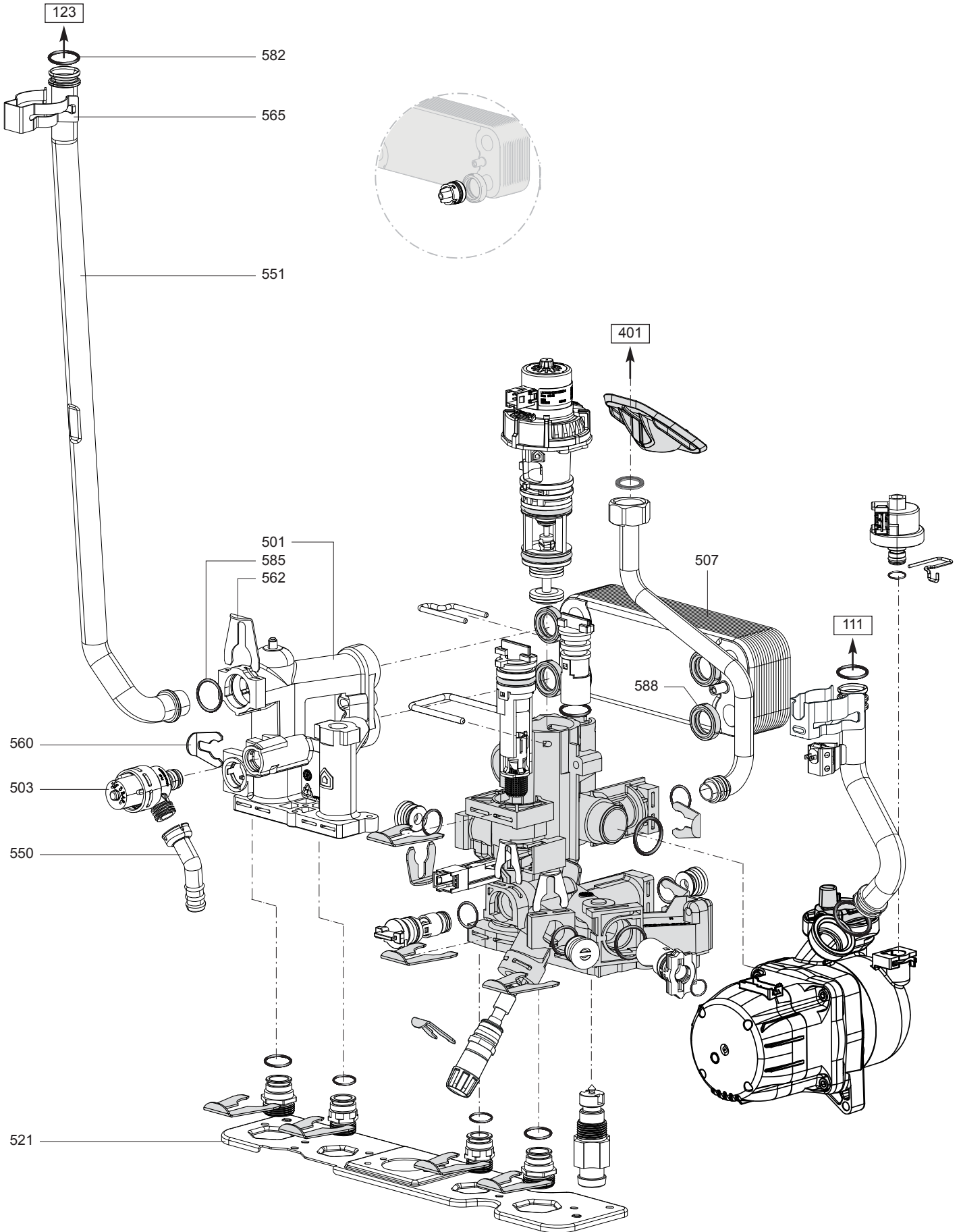
R8218730-03 - 17/06/2022

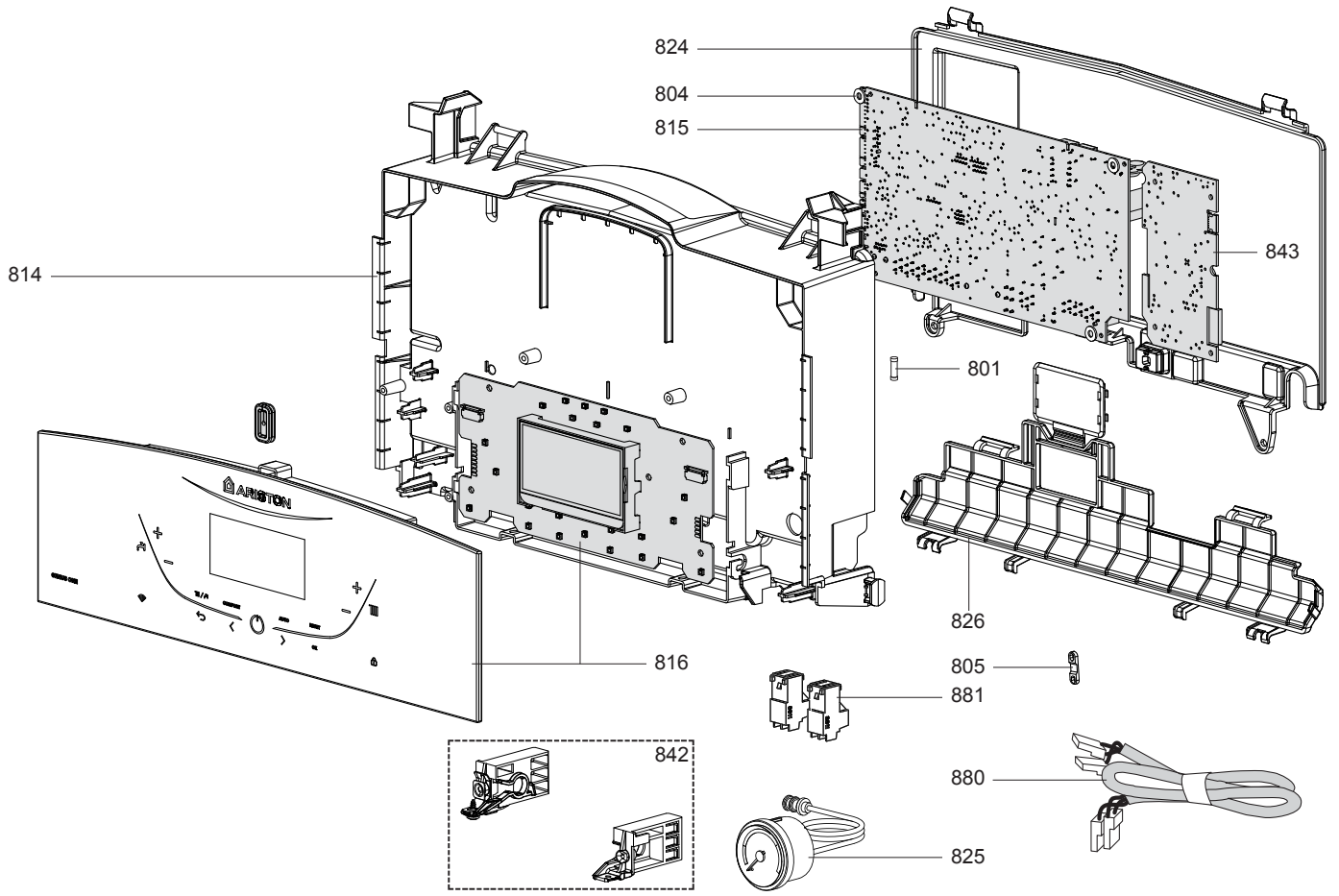
ALTEAS/GENUS ONE+NET

Gas-wall condensing boilers

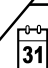
1	3301770	ALTEAS ONE+ NET 24 (CUBE)	07-2021	-
2	3301771	ALTEAS ONE+ NET 24	07-2021	-
3	3301772	ALTEAS ONE+ NET 30	07-2021	-
4	3301773	ALTEAS ONE+ NET 35	07-2021	-
5	3301774	GENUS ONE+ NET 24	06-2022	-
6	3301777	GENUS ONE+ WIFI 24	06-2022	-
7	3301775	GENUS ONE+ NET 30	06-2022	-
8	3301778	GENUS ONE+ WIFI 30	06-2022	-
9	3301776	GENUS ONE+ NET 35	06-2022	-
10	3301779	GENUS ONE+ WIFI 35	06-2022	-
Col	Reference	Model type	Begin	End







5020
Options
Accessories
Opzioni
Accessorio

☉⇒	Description	Manf. Pt. N	Type	ALTEAS O+N+24(CUBE) ALTEAS ONE+NET 24 ALTEAS ONE+NET 30 ALTEAS ONE+NET 35 GENUS ONE+NET 24 GENUS ONE+WiFi 24 GENUS ONE+NET 30 GENUS ONE+NET 35																			
				1	2	3	4	5	6	7	8	9	10	11	12	13	14	15	16	17	18	From	to
0801	ПРЕДОХРАНИТЕЛЬ 5X20 RIT. 2A 250V	65112137		●	●	●	●	●	●	●	●	●	●	●	●	●	●	●	●				
0804	ШАЙБА	65112054		●	●	●	●	●	●	●	●	●	●	●	●	●	●	●	●	●			
0805	ЗАЖИМ ДЛЯ КАБЕЛЯ	65120808		●	●	●	●	●	●	●	●	●	●	●	●	●	●	●	●	●			
0814	КОРПУС БЛОКА УПРАВЛЕНИЯ (FRONT)	65119642		●	●	●	●	●	●	●	●	●	●	●	●	●	●	●	●	●			
0815	ОСНОВНАЯ ПЛАТА	65120807-01		●	●	●	●	●	●	●	●	●	●	●	●	●	●	●	●	●			
0816	ПЛАТА ДИСПЛЕЯ	65120806-01		●	●	●	●	●	●	●	●	●	●	●	●	●	●	●	●	●			
	ПЛАТА ДИСПЛЕЯ	65120830-01		●	●	●	●	●	●	●	●	●	●	●	●	●	●	●	●	●			
0824	КОРПУС БЛОКА УПРАВЛЕНИЯ (REAR)	65120810		●	●	●	●	●	●	●	●	●	●	●	●	●	●	●	●	●			
0825	МАНОМЕТР (0-4 БАР)	65114200		●	●	●	●	●	●	●	●	●	●	●	●	●	●	●	●	●			
0826	КОРПУС БЛОКА УПРАВЛЕНИЯ (LOWER PART)	65120809		●	●	●	●	●	●	●	●	●	●	●	●	●	●	●	●	●			
0842	ПЕТЛЯ КОРПУСА БЛОКА УПРАВЛЕНИЯ	65120444		●	●	●	●	●	●	●	●	●	●	●	●	●	●	●	●	●			
0843	ПЛАТА WI-FI (WIFI-REM4)	65120352-01		●	●	●	●	●	●	●	●	●	●	●	●	●	●	●	●	●			
0880	КАБЕЛЬ 3-Х ХОДОВОГО КЛАПАНА	65116589		●	●	●	●	●	●	●	●	●	●	●	●	●	●	●	●	●			
	КАБЕЛЬ ВЕНТИЛЯТОРА	65116579		●	●	●	●	●	●	●	●	●	●	●	●	●	●	●	●	●			
	КАБЕЛЬ ДИСПЛЕЯ	60000746		●	●	●	●	●	●	●	●	●	●	●	●	●	●	●	●	●			
	КАБЕЛЬ ПИТАНИЯ 240V	60001619		●	●	●	●	●	●	●	●	●	●	●	●	●	●	●	●	●			
	КАБЕЛЬ ГАЗОВОГО КЛАПАНА	65120813		●	●	●	●	●	●	●	●	●	●	●	●	●	●	●	●	●			
	КАБЕЛЬ ДАТЧИКА ТЕМПЕРАТУРЫ	65120811		●	●	●	●	●	●	●	●	●	●	●	●	●	●	●	●	●			
	КАБЕЛЬ НАСОСА	65120812		●	●	●	●	●	●	●	●	●	●	●	●	●	●	●	●	●			
	КАБЕЛЬ НАСОСА HE	65117069		●	●	●	●	●	●	●	●	●	●	●	●	●	●	●	●	●			
	КАБЕЛЬ ПЛАТЫ WI-FI	65121202		●	●	●	●	●	●	●	●	●	●	●	●	●	●	●	●	●			
0881	КОННЕКТОР 2P	65111933		●	●	●	●	●	●	●	●	●	●	●	●	●	●	●	●	●			
5020	КОМНАТНЫЙ ДАТЧИК CUBE (AR BLACK)	65116720-02		●																			
	ДАТЧИК УЛИЧНОЙ ТЕМПЕРАТУРЫ	65112215		●																			
	КОННЕКТОР ШИНЫ BUS	65112042			●	●	●	●	●	●	●	●	●	●	●	●	●	●	●	●			
	КОМНАТНЫЙ ДАТЧИК CUBE (KIT)	65116718-02		●																			
	ПУЛЬТ УПРАВЛЕНИЯ SENSYS HD BLACK	65120376			●	●	●																
	ПУЛЬТ УПРАВЛЕНИЯ SENSYS HD WHITE	65120377						●		●		●											

LIST OF THE ABBREVIATIONS

HW	: Hot water.
CW	: Cold water.
C	: Ceramic resistance (normal heating).
Ca	: Ceramic resistance (accelerated heating)
TP	: Immersion heater.
1F	: With fittings.
2F	: Without fittings.
3F	: With fittings and another outlet connection.
AMI	: With mixing valve.
SMI	: Without mixing valve.
PUISS	: Power of th appliance.
PN	: Appliance with normal pression.
LP	: Appliance with low pression.
PV	: Appliance with variable power.
PF	: Appliance with fixed power.

IDENTIFICATION PLATE

SERIAL NUMBER

10 Characters :	04 05 125 011		
		Sequential number	
		Manufacturing day	
		Year of manufacture	
11 Characters :	1 95 065004 - 31		
Month of manufacture :		Technical number of the appliance	
from 1 to 9 → Jan. to Sep.,		Sequential number	
O → Oct., N → Nov.,		Year of manufacture	
D → Dec.			
19 Characters :	08 05 0013199 900640031		
Year of manufacture		Product reference	
Month of manufacture		Sequential number	
20 Characters :	3675007 XX 2 07 070 00315		
Product reference		Sequential number	
Millenium of manufacture		Manufacturing day	
		Year of manufacture	
21 Characters :	3675007 XX 07 070 0000315		
Product reference		Sequential number	
Year of manufacture		Manufacturing day	