



ARISTON

# SPARE PARTS EXPLODED VIEW INSTANTANEOUS ELECTRIC WATER HEATERS

Model  
**AURES M BIG**

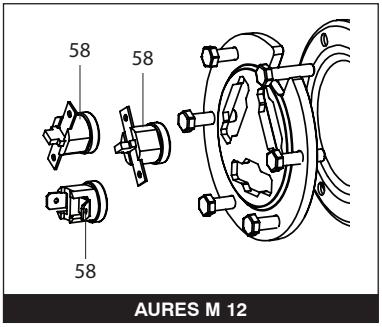
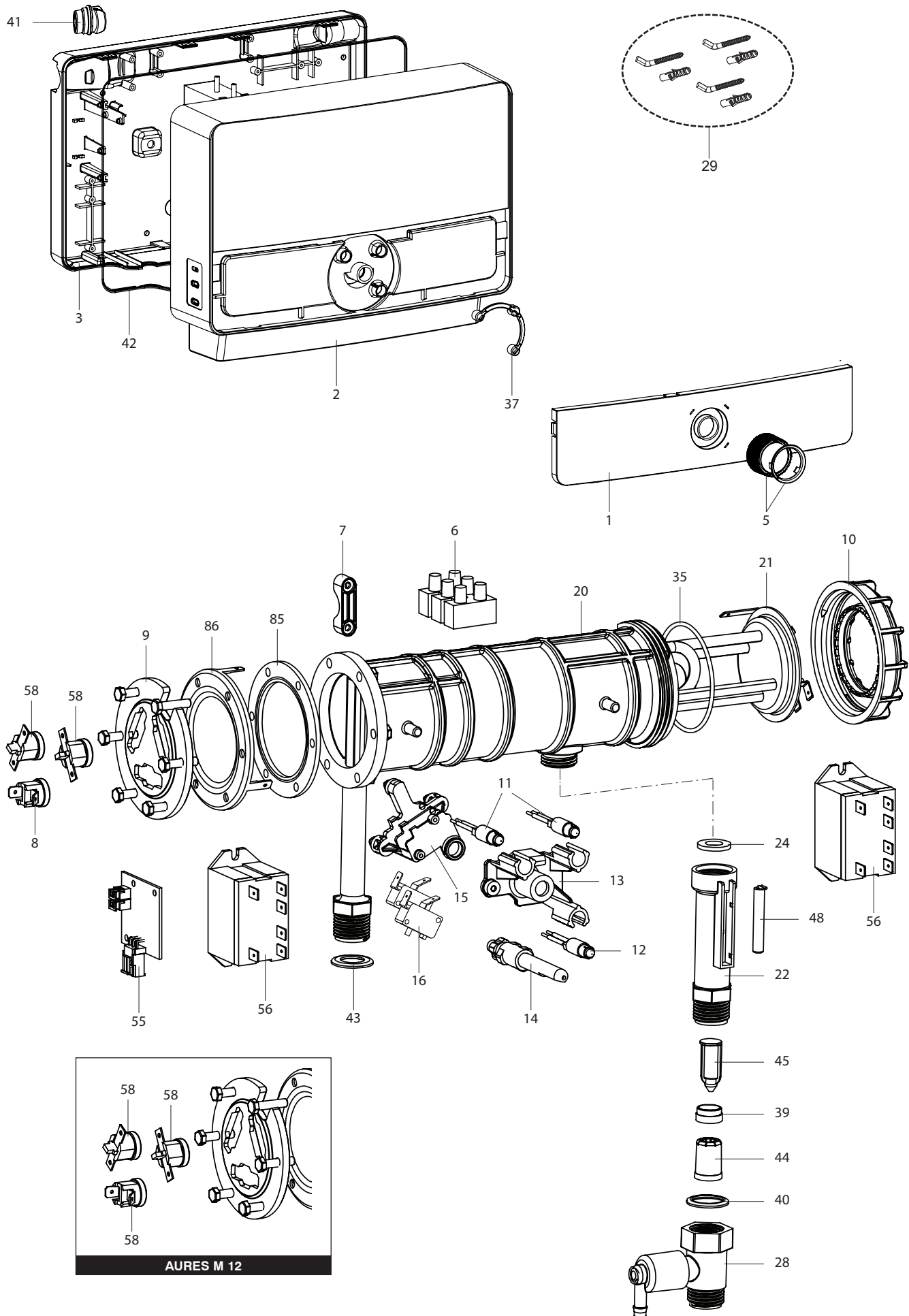
R8218715-06 - 28/12/2023

AURES M BIG

Instantaneous Electric Water Heaters

1	3195215	AURES M 9.5 EU	09-2021	-
1	3195258	AURES M 9.5 EU	12-2023	-
2	3195216	AURES M 9.5 240V EU	09-2021	-
3	3195236	AURES M 10.5	06-2021	-
4	3195228	AURES M 10.5 240V US-1	08-2021	-
5	3195217	AURES M 12 EU	09-2021	-
6	3195261	AURES M 12 TR	06-2021	-
7	3195219	AURES M 12 TR EU	09-2021	-
8	3195229	AURES M 13 240V US-1	08-2021	09-2021

Col	Reference	Model type	Begin	End
-----	-----------	------------	-------	-----



☺	Description	Manf. Pt. N	Type	<div style="display: flex; justify-content: space-between; font-size: small;"> <span>AURES M 9.5 EU</span> <span>AURES M 9.5 240V EU</span> <span>AURES M 10.5</span> <span>AURES M 10.5 US-1</span> <span>AURES M 12</span> <span>AURES M 12 TR</span> <span>AURES M 13 US-1</span> </div>																		From	to
				1	2	3	4	5	6	7	8	9	10	11	12	13	14	15	16	17	18		
0001	LOWER FRONT PANEL	65191140																					
	LOWER FRONT PANEL	65191115		•	•	•																	
0002	FRONT COVER	65191462		•	•	•																	
	FRONT COVER	65191463					•																
0003	BACK COVER	65191155		•	•	•																	
	BACK COVER	65191163					•																
0005	KNOB (REGULATION)	65191198		•	•	•																	
0006	3-POLE TERMINAL BLOCK	65191143					•																
	TERMINAL BLOCK	65191101		•	•	•		•															
	TERMINAL BLOCK	65191166								•	•												
	TERMINAL BLOCK	65191167																	•				
0007	CABLE CLAMP	65191157		•	•	•	•	•	•	•	•	•	•	•	•	•	•	•	•				
0008	THERMOSTAT 57C	65191130		•	•	•	•	•	•	•	•	•	•	•	•	•	•	•	•				
0009	THERMOSTAT SUPPORT	65191132		•	•	•	•	•	•	•	•	•	•	•	•	•	•	•	•				
0010	BIG NUT FOR HEATING ELEMENT LOCK	65191119		•	•	•	•	•	•	•	•	•	•	•	•	•	•	•	•				
0011	SIGNAL LAMP (BLUE/BROWN - BLACK/PURPLE)	65191145		•	•	•	•	•	•	•	•	•	•	•	•	•	•	•	•		01/23		
	SIGNAL LAMP (BLUE/BROWN - BLACK/PURPLE)	65191337		•																			
	SIGNAL LAMP (BLUE/BROWN - BLACK/PURPLE)	65191337		•	•	•	•	•	•	•	•	•	•	•	•	•	•	•	•		02/23		
0012	SIGNAL LAMP (YELLOW/BLACK)	65191146		•	•	•	•	•	•	•	•	•	•	•	•	•	•	•	•		01/23		
	SIGNAL LAMP (YELLOW/BLACK)	65191338		•																			
	SIGNAL LAMP (YELLOW/BLACK)	65191338		•	•	•	•	•	•	•	•	•	•	•	•	•	•	•	•		02/23		
0013	LED HOLDER	65191113		•	•	•	•	•	•	•	•	•	•	•	•	•	•	•	•				
0014	SPINDLE (KNOB)	65191070		•	•	•	•	•	•	•	•	•	•	•	•	•	•	•	•				
0015	SPINDLE HOLDER	65191071		•	•	•	•	•	•	•	•	•	•	•	•	•	•	•	•				
0016	MICROSWITCH (KNOB SELECTOR)	65191127		•	•	•	•	•	•	•	•	•	•	•	•	•	•	•	•				
0020	CANISTER	65191133		•	•	•																	
	CANISTER	65191141					•												•				
0021	HEATING ELEMENT 10.5KW 220V	65155349					•																
	HEATING ELEMENT 10.5KW 240V	65155350						•															
	HEATING ELEMENT 12KW 230V	65155351								•	•	•	•	•	•	•	•	•	•				
	HEATING ELEMENT 9.5KW 220V	65155347		•																			
	HEATING ELEMENT 9.5KW 240V	65155348			•																		
0022	INLET PIPE	65191147																	•				
	INLET PIPE	65191136		•	•	•																	
0024	INLET PIPE GASKET	65191100		•																			
	INLET PIPE GASKET	65191162			•																		
0028	SAFETY VALVE	65191154																	•				
	SAFETY VALVE for 5.5 kw	65191126		•	•	•																	
0029	INSTALLATION KIT	65191079		•	•	•	•	•	•	•	•	•	•	•	•	•	•	•	•				
0035	O-RING	65191095		•																			
	O-RING	65191161			•																		
0037	LED INDICATOR	65191118		•	•	•	•	•	•	•	•	•	•	•	•	•	•	•	•				
0039	TORPEDO STOPPER	65191122		•	•	•	•	•	•	•	•	•	•	•	•	•	•	•	•				
0040	TUBE RING (BLUE)	65191076		•	•	•	•	•	•	•	•	•	•	•	•	•	•	•	•				
0041	CABLE BUSHING	65191159		•	•	•	•	•	•	•	•	•	•	•	•	•	•	•	•				
0042	COVER GASKET	65191078		•	•	•	•	•	•	•	•	•	•	•	•	•	•	•	•				
0043	TUBE RING (RED)	65191097		•	•	•	•	•	•	•	•	•	•	•	•	•	•	•	•				
0044	CLEANING FILTER	65191123		•	•	•	•	•	•	•	•	•	•	•	•	•	•	•	•				
0045	COMPLETE TORPEDO	65191124		•	•	•	•	•	•	•	•	•	•	•	•	•	•	•	•				
0048	REED SENSOR (COMPLETE)	65191125		•	•	•	•	•	•	•	•	•	•	•	•	•	•	•	•				
0055	CONTROL BOARD	65155096		•	•	•	•	•	•	•	•	•	•	•	•	•	•	•	•				
0056	RELAY	65191128		•	•	•	•	•	•	•	•	•	•	•	•	•	•	•	•				
0058	THERMOSTAT 85C	65191131		•	•	•	•	•	•	•	•	•	•	•	•	•	•	•	•				
0085	FLANGE GASKET	65191134		•	•	•	•	•	•	•	•	•	•	•	•	•	•	•	•				
0086	CANISTER FLANGE	65191135		•	•	•	•	•	•	•	•	•	•	•	•	•	•	•	•				

## LIST OF THE ABBREVIATIONS

HW .....	: Hot water.
CW .....	: Cold water.
C .....	: Ceramic resistance (normal heating).
Ca .....	: Ceramic resistance (accelerated heating)
TP .....	: Immersion heater.
1F .....	: With fittings.
2F .....	: Without fittings.
3F .....	: With fittings and another outlet connection.
AMI .....	: With mixing valve.
SMI .....	: Without mixing valve.
PUISS .....	: Power of th appliance.
PN .....	: Appliance with normal pression.
LP .....	: Appliance with low pression.
PV .....	: Appliance with variable power.
PF .....	: Appliance with fixed power.

## IDENTIFICATION PLATE

### SERIAL NUMBER

**6 Characters :**  
 Year of manufacture 03 09 08 Manufacturing day  
 Month of manufacture

**9 Characters :**  
 Year of manufacture 5 9 12 06 06 Sequential number  
 Month of manufacture

**14 Characters :**  
 SI-V-0B0 45 07 0001  
 Sequential number  
 Year of manufacture : → 6 → 2004  
 Month of manufacture : → 25 → January 43 → July 7 → 2005  
 13 → February 29 → August 8 → 2006  
 32 → March 40 → September etc ...  
 35 → April 38 → October  
 39 → May 51 → November  
 45 → June 12 → December

**14 Characters :**  
 111518 XX 000010  
 Month of manufacture Sequential number  
 Day of manufacture Year of manufacture

**15 Characters :**  
 02 11 00001 007843  
 Year of manufacture Product reference  
 Month of manufacture Sequential number

**21 Characters :**  
 3200050 XX 08115 0000001  
 Product reference Sequential number  
 Year (08) / Manufacturing day (115)

**22 Characters :**  
 3200050 XX 070115 0000001  
 Product reference Sequential number  
 Year (07) / Month (01) / Manufacturing day (15)