



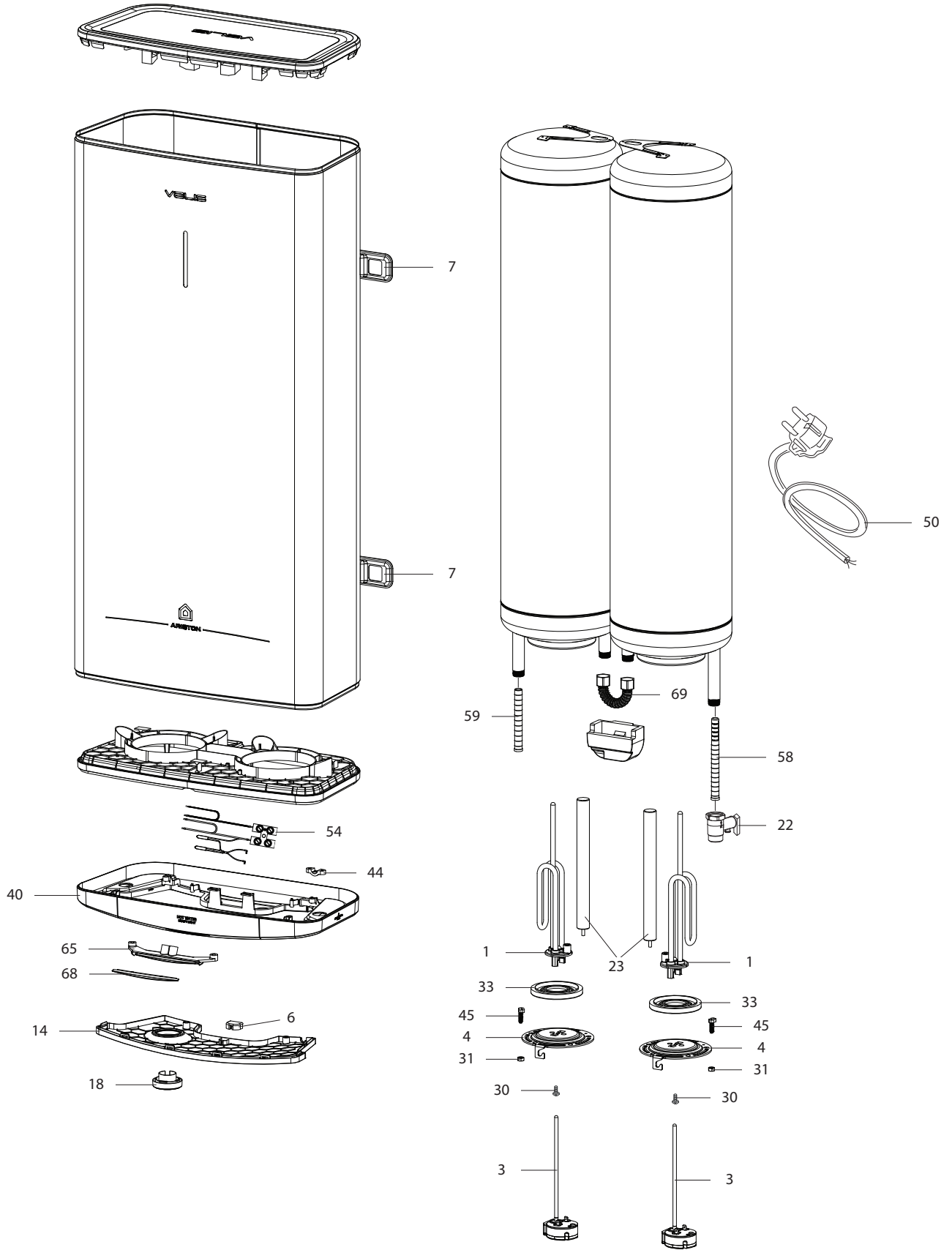
SPARE PARTS EXPLODED VIEW
STORAGE ELECTRIC WATER HEATERS
Model
ABS VLS PRO R

R8218678-04 - 11/07/2023

ABS VLS PRO R

Storage Electric Water Heaters

1	3700707	ABS VLS PRO R 30	04-2021	12-2022
2	3700708	ABS VLS PRO R 50	04-2021	-
3	3700709	ABS VLS PRO R 80	04-2021	-
4	3700710	ABS VLS PRO R 100	04-2021	-
Col	Reference	Model type	Begin	End



ABS VLS PRO R 30
ABS VLS PRO R 50
ABS VLS PRO R 80
ABS VLS PRO R 100

31

☺ →	Description	Manf. Pt. N	Type																			From	to
				1	2	3	4	5	6	7	8	9	10	11	12	13	14	15	16	17	18		
0001	HEATING ELEMENT 1000W 220-240V	65120782		●	●	●	●																
0003	THERMOSTAT	65117771		●	●	●	●																
0004	FLANGE (5 HOLES)	65180108		●	●	●	●																
0006	WATER DRAIN STOPPER	65180442		●	●	●	●																
0007	SUPPORT BRACKET	65152905		●	●	●	●																
0014	PLASTIC COVER	65180454		●	●	●	●																
0018	KNOB (REGULATION)	65180455		●	●	●	●																
0022	SAFETY VALVE WITH LEVER (1/2" 8,5 BAR)	571730		●	●	●	●																
0023	ANODE D:21,3 L:180 M5	65180015		●	●																		
	ANODE D:25,5 L:230 M5-M8	993014-01					●	●															
0030	SCREW M6X12	993000		●	●	●	●																
0031	NUT M6	994140		●	●	●	●																
0033	FLANGE GASKET	65111788		●	●	●	●																
0040	BOTTOM BIG PLASTIC COVER	65180452		●	●	●	●																
0044	CABLE CLAMP	573266		●	●	●	●																
0045	SCREW M6X20	65151225		●	●	●	●																
0050	POWER CABLE WITH ELCB (16A 1,0m)	65150965		●	●	●	●																
0054	WIRING	65120783		●	●	●	●																
0058	BAFFLE (1/2" H=159)	65152176		●	●	●	●																
0059	BAFFLE (1/2" H=100)	65152177		●	●	●	●																
0065	LIGHT CONVEYOR	65180453		●	●	●	●																
0068	LED INDICATOR	65180449		●	●	●	●																
0069	BY-PASS CONNECTION	65154293		●	●	●	●																

LIST OF THE ABBREVIATIONS

HW	: Hot water.
CW	: Cold water.
C	: Ceramic resistance (normal heating).
Ca	: Ceramic resistance (accelerated heating)
TP	: Immersion heater.
1F	: With fittings.
2F	: Without fittings.
3F	: With fittings and another outlet connection.
AMI	: With mixing valve.
SMI	: Without mixing valve.
PUISS	: Power of th appliance.
PN	: Appliance with normal pression.
LP	: Appliance with low pression.
PV	: Appliance with variable power.
PF	: Appliance with fixed power.

IDENTIFICATION PLATE

SERIAL NUMBER

6 Characters :
 Year of manufacture 03 09 08 Manufacturing day
 Month of manufacture

9 Characters :
 Year of manufacture 5 9 12 0606 Sequential number
 Month of manufacture

14 Characters :
SI-V-0B0 45 07 0001
 Sequential number
 Year of manufacture : → 6 → 2004
 Month of manufacture : → 25 → January 43 → July 7 → 2005
 → 13 → February 29 → August 8 → 2006
 → 32 → March 40 → September etc ...
 → 35 → April 38 → October
 → 39 → May 51 → November
 → 45 → June 12 → December

14 Characters :
111518 XX 000010
 Month of manufacture 11 Sequential number
 Day of manufacture 18 Year of manufacture

15 Characters :
02 11 00001 007843
 Year of manufacture 02 Product reference
 Month of manufacture 11 Sequential number

21 Characters :
3200050 XX 08115 0000001
 Product reference 08115 Sequential number
 Year (08) / Manufacturing day (115)

22 Characters :
3200050 XX 070115 0000001
 Product reference 070115 Sequential number
 Year (07) / Month (01) / Manufacturing day (15)